

# 60cm Freestanding Dishwasher

14 Place Settings | Stainless Steel

**304**  
Stainless Steel

**14**  
Place Settings

**5**  
Year Warranty



**COLOUR**



Stainless Steel: BD14FSDX-2

## PRODUCT FEATURES

### FLEXIBLE LOADING

Designed to fit 14 place settings with plenty of flexible loading options including a sliding cutlery basket, as well as an easy lift upper basket to create more room on the lower basket and foldable tines.

### A QUALITY CLEAN

Choose from 7 wash programs, ranging from Rapid for when you need clean dishes in a hurry through to Hygiene for a higher temperature wash.

### CUSTOMISE YOUR WASH

Featuring 4 auxiliary functions including half load to save on energy and water and extra drying for ensuring plastics are free from any drips.



CHILD LOCK



3.5 STAR ENERGY RATING



4.5 STAR WELS RATING



49dB NOISE LEVEL

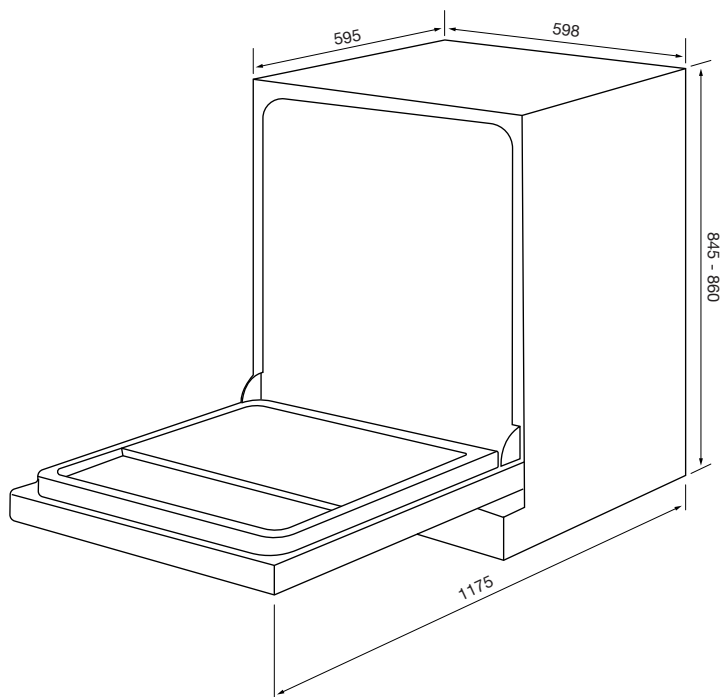


12.0L PER WASH CYCLE\*



10A PLUG CONNECTION

# Specifications, Dimensions and Installation



FEATURES	
Finish	Stainless steel
Place settings	14
Display	LED
Controls	Electronic buttons
Upper basket type	Easy lift height adjustable
Cutlery basket	Included
No. of spray arms	2
Adjustable plate holders	2
Adjustable mug shelves	1
Dry system	Natural
Delay start	1 - 24 hours
Child lock	Yes
Food protection	Overflow sensor
Rinse aid indicator	Yes
Internal tub material	Stainless steel
Filter type	3 stage
WASH PROGRAMS	
Program 1	Eco, 46°
Program 2	Glass, 42°
Program 3	90min, 65°
Program 4	Rapid, 40°
Program 5	Hygiene, 72°
Program 6	Soak, pre-wash
Program 7	Self cleaning, 72°
AUXILIARY FUNCTIONS	
Function 1	Extra dry
Function 2	Half load
Function 3	Power wash
Function 4	Express wash

TECHNICAL SPECIFICATIONS	
Heating element (W)	1800
Motor	Universal
Energy rating	3.5 stars
Annual energy usage (kWh)*	259
WELS star rating	4.5 stars
Litres per wash cycle (L)*	12.0
Noise level (dB)	49
INSTALLATION	
Electrical connection	10A plug
Voltage / frequency	220 - 240V / 50Hz
Total wattage (W)	1760 - 2100
Installation type	Freestanding
DIMENSIONS (PACKED)	
Width x height x depth (mm)	645 x 871 x 645
Gross weight (kg)	45.2
DIMENSIONS (PRODUCT)	
Width x height x depth (mm)	598 x 845 - 860 x 595
Net weight (kg)	41.6
DIMENSIONS (CUT-OUT)	
Width x height x depth (mm)	600 x 850 - 870 x 600
WARRANTY	
Parts & labour	5 years

