

60cm Freestanding Dishwasher

15 Place Settings | Black Stainless Steel

304

Stainless Steel

15

Place Settings

5

Year Warranty



COLOUR



Black Stainless Steel: BD15FSDBK-2

PRODUCT FEATURES

FLEXIBLE LOADING

Never run short of space with 15 place settings and plenty of flexible loading options with the aid of a flexible cutlery tray, as well as an easy lift upper basket to create more room on the lower basket and foldable tines.

A QUALITY CLEAN

Choose from 8 wash programs, ranging from Rapid for when you need clean dishes in a hurry through to Auto to adjust the temperature and duration accordingly for the perfect wash.

CUSTOMISE YOUR WASH

Featuring 4 auxiliary functions including dual zone wash to save on energy and water and extra drying for ensuring plastics are free from any drips.

ADVANCED DRYING

Improved effectiveness over a natural drying system, the built in fan removes the hot and humid air after the wash cycle is completed, allowing your dishes to dry quickly and thoroughly.

BRUSHLESS MOTOR

Built to be more efficient and durable, the brushless motor not only costs less to run but is quieter as well.



CHILD LOCK



4 STAR ENERGY RATING



5 STAR WELS RATING



42dB NOISE LEVEL

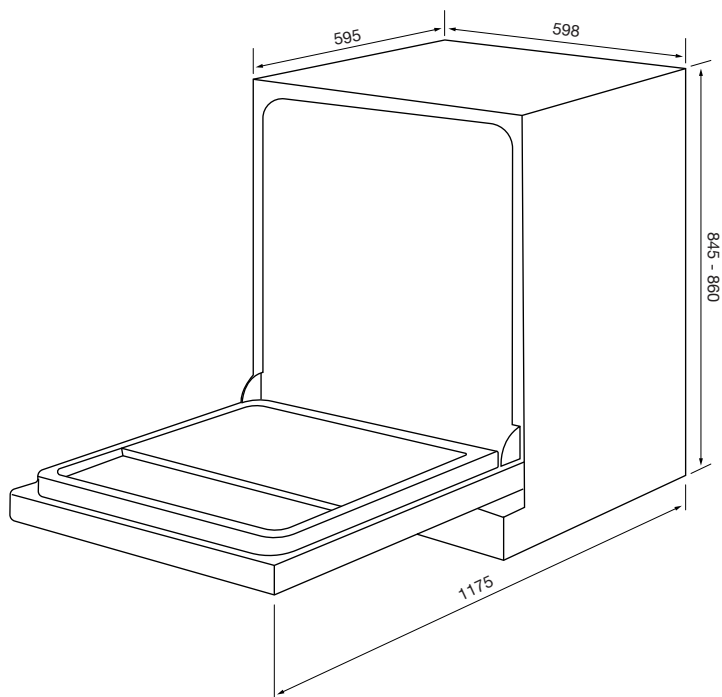


12.0L PER WASH CYCLE*



10A PLUG CONNECTION

Specifications, Dimensions and Installation



FEATURES	
Finish	Black stainless steel
Place settings	15
Display	LED
Controls	Touch control
Upper basket type	Easy lift height adjustable
Cutlery tray	Adjustable full width
No. of spray arms	3
Adjustable plate holders	2
Adjustable mug shelves	1
Dry system	Turbo
Delay start	1 - 24 hours
Child lock	Yes
Food protection	Overflow sensor
Rinse aid indicator	Yes
Internal tub material	Stainless steel
Filter type	3 stage
WASH PROGRAMS	
Program 1	Auto, 45 - 75°
Program 2	Eco, 47°
Program 3	Glass, 42°
Program 4	90min, 75°
Program 5	Rapid, 45°
Program 6	60min, 60°
Program 7	Hygiene, 72°
Program 8	Soak, pre-wash
AUXILIARY FUNCTIONS	
Function 1	Extra dry
Function 2	Dual zone wash
Function 3	Power wash
Function 4	Express wash

TECHNICAL SPECIFICATIONS	
Heating element (W)	1800
Motor	BDLC
Energy rating	4 stars
Annual energy usage (kWh)*	246
WELS star rating	5 stars
Litres per wash cycle (L)*	12.0
Noise level (dB)	42
INSTALLATION	
Electrical connection	10A plug
Voltage / frequency	220 - 240V / 50Hz
Total wattage (W)	1760 - 2100
Installation type	Freestanding
DIMENSIONS (PACKED)	
Width x height x depth (mm)	645 x 871 x 645
Gross weight (kg)	45.2
DIMENSIONS (PRODUCT)	
Width x height x depth (mm)	598 x 845 - 860 x 595
Net weight (kg)	41.6
DIMENSIONS (CUT-OUT)	
Width x height x depth (mm)	600 x 850 - 870 x 600
WARRANTY	
Parts & labour	5 years

