

Undermount Rangehood



Colour



Black: BU90B

Features & Benefits

LED Lighting

Enhance your cooking experience with an LED Light Strip, providing unmatched illumination across your entire cooktop area.

Baffle Filters

Experience cleanliness redefined with Baffle Filters, meticulously designed to eliminate grease and oil accumulation, effortlessly removable, and dishwasher-safe for hassle-free cleaning.

DC Motor

Embrace the power of a DC Motor, efficiently extract all cooking odours, smoke, and steam with ease whilst keeping noise to a minimum.

Touch Controls

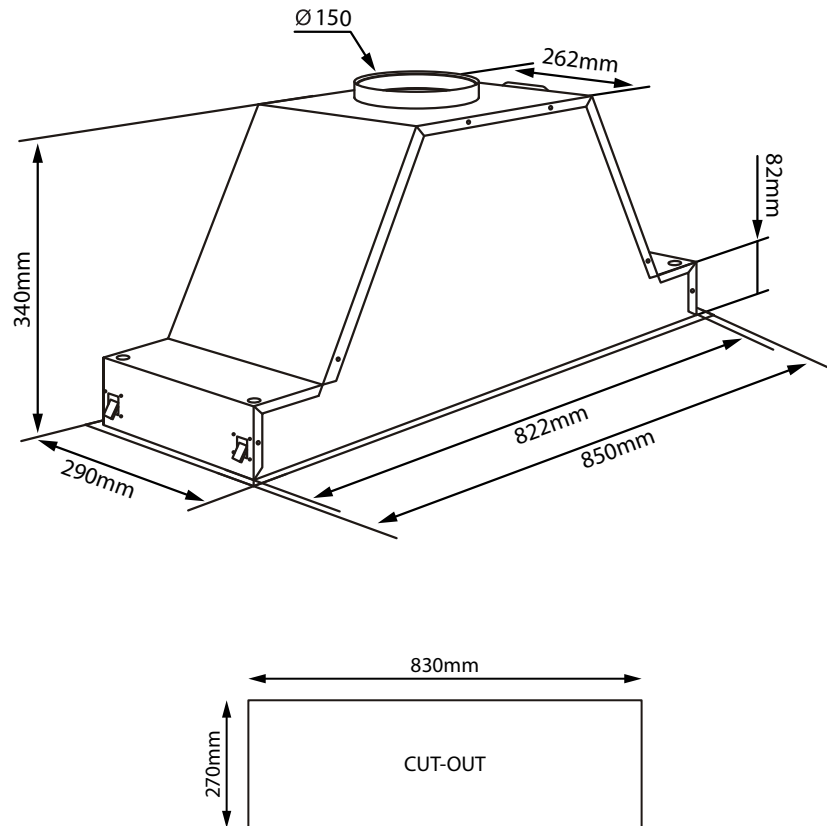
Simplify your cooking experience with easy to use Touch Controls, preventing build-up of grease and moisture and allowing seamless adjustment of the rangehood power.

Design

Incorporating a slimline frame with matte black finish, the Belling Undermount Rangehoods offer a minimalistic design that integrates seamlessly into any kitchen aesthetic.



Scan for more info



BU90B

FEATURES	
Finish	Matte black
Installation type	Undermount
Extraction rate	1000m ³ /h
Control type	Touch with white LED
No. of speeds	3 + boost
Lighting	1x LED strip
Filters	2x baffle
Airflow type	Ducted only
Countdown timer	10mins
NOISE LEVEL	
Speed 1 (dBA)	44
Speed 2 (dBA)	48
Speed 3 (dBA)	61
Boost (dBA)	66.5
SPECIFICATIONS	
Electrical connection	10A plug
Power supply	220 - 240V, 50Hz
LED wattage	1x 6W
Power cord length (m)	1.7
DIMENSIONS (PRODUCT)	
Width x depth x height (mm)	850 x 290 x 360
Cut-out width x depth (mm)	830 x 270
Recommended clearance (mm)	700 - 750
Duct diameter (mm)	150
Net weight (kg)	10.5
DIMENSIONS (CARTON)	
Width x depth x height (mm)	910 x 360 x 415
Gross weight (kg)	13.5
WARRANTY	
Parts and labour	5 years