

## Undermount Rangehood



### Colour



Black: BU90B

## Features & Benefits

### LED Lighting

Enhance your cooking experience with an LED Light Strip, providing unmatched illumination across your entire cooktop area.

### Baffle Filters

Experience cleanliness redefined with Baffle Filters, meticulously designed to eliminate grease and oil accumulation, effortlessly removable, and dishwasher-safe for hassle-free cleaning.

### DC Motor

Embrace the power of a DC Motor, efficiently extract all cooking odours, smoke, and steam with ease whilst keeping noise to a minimum.

### Touch Controls

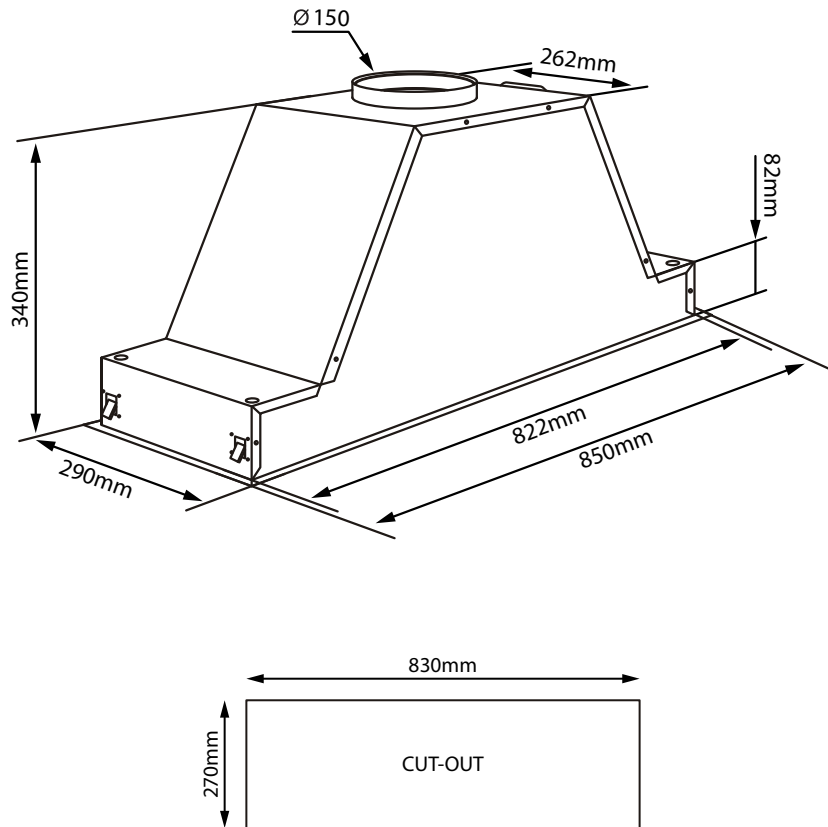
Simplify your cooking experience with easy to use Touch Controls, preventing build-up of grease and moisture and allowing seamless adjustment of the rangehood power.

### Design

Incorporating a slimline frame with matte black finish, the Belling Undermount Rangehoods offer a minimalistic design that integrates seamlessly into any kitchen aesthetic.



Scan for more info



## BU90B

FEATURES	
Finish	Matte black
Installation type	Undermount
Extraction rate	1000m <sup>3</sup> /h
Control type	Touch with white LED
No. of speeds	3 + boost
Lighting	1x LED strip
Filters	2x baffle
Airflow type	Ducted only
Countdown timer	10mins
SPECIFICATIONS	
Electrical connection	10A plug
Power supply	220 - 240V, 50Hz
LED wattage	1x 6W
Power cord length (m)	1.7
DIMENSIONS (PRODUCT)	
Width x depth x height (mm)	850 x 290 x 360
Cut-out width x depth (mm)	830 x 270
Recommended clearance (mm)	700 - 750
Duct diameter (mm)	150
Gross weight (kg)	13.5
Net weight (kg)	10.5
DIMENSIONS (CARTON)	
Width x depth x height (mm)	910 x 360 x 415
WARRANTY	
Parts and labour	5 years