

# Squareline Pull-Out Mixer

Stainless Steel | 35mm Cartridge

**5**  
Litres Per  
Minute

**304**  
Stainless  
Steel

**5**  
Year  
Warranty\*

\*Parts & Labour  
+ additional 5 Years  
cartridge parts only



## COLOURS



Stainless Steel: BDTS221X | Gun Metal: BDTS221GM

## PRODUCT FEATURES

### BUILT TO ENDURE

Crafted from solid 304 grade stainless steel, Belling Design tapware is lead free and highly resistant to rust and not prone to chipping like a traditional chrome mixer.

### HYGENIC

All stainless-steel tapware is produced using "Soft Silk" technology which ensures a smooth, non-porous internal surface, resulting in no bacteria or water contamination.

### PREMIUM COMPONENTS

A 35mm ceramic disc cartridge combined with an easy glide handle provides smooth operation and precise temperature control.

### 5 STAR EFFICIENCY

All stainless steel mixers offer a 5 Star WELS rating providing the perfect balance of flow rate and efficiency.



PULL-OUT  
SHOWER HEAD

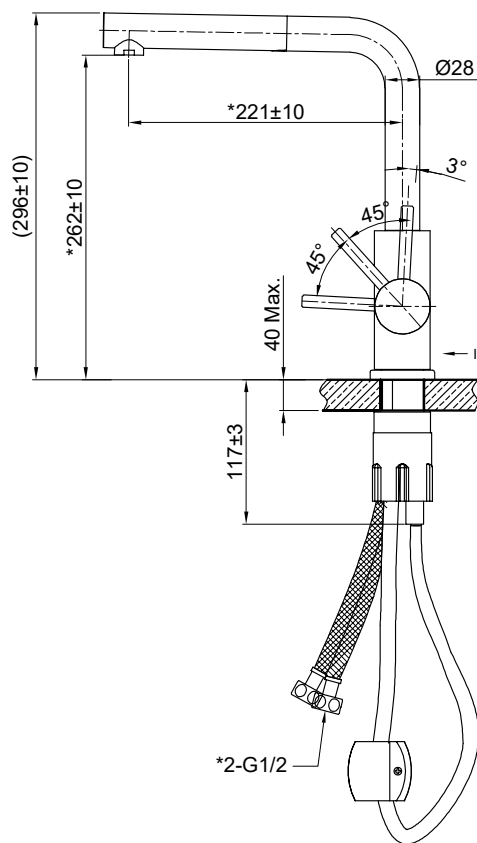


180°  
SWIVEL  
ACTION



STAR WELS  
RATING

# Specifications, Dimensions and Installation



FEATURES	
Style	Squareline, Pull-Out
Tap Swivel Range	180°
Cartridge Size (mm)	35
WELS Star Rating	5
Flow Rate (Litres Per Minute)	5
Body Diameter (mm)	45
Spout Reach (mm)	221
Mixer Height (mm)	296
Material	304 Grade Stainless Steel
Finish	Stainless Steel
INSTALLATION	
Cut-Out (mm)	Ø 35
Minimum Operating Pressure	150kPa
Minimum Operating Temperature	1°
Maximum Operating Pressure	500kPa
Maximum Operating Temperature	70°
DIMENSIONS (PACKED)	
Width x Height x Depth (mm)	490 x 80 x 318
Gross Weight (kg)	2.9
DIMENSIONS (PRODUCT)	
Width x Height x Depth (mm)	94 x 296 x 264
Net Weight (kg)	2.6
WARRANTY	
Parts & Labour	5 Years*
Cartridge	10 Years (Replacement Only*)

\*Terms and Conditions apply

