

Slim Gooseneck Pull-Out Mixer

Stainless Steel | 25mm Cartridge | Rose Gold Finish

5.5
Litres Per Minute

304
Stainless Steel

5
Year Warranty*

*Parts & Labour + additional 5 Years cartridge parts only



COLOURS



Rose Gold: BDTG201RG
Stainless Steel: BDTG201X | Gun Metal: BDTG201GM
Matte Black: BDTG201MB | Light Gold: BDTG201LG

PRODUCT FEATURES

BUILT TO ENDURE

Crafted from solid 304 grade stainless steel, Belling Design tapware is lead free and highly resistant to rust and not prone to chipping like a traditional chrome mixer.

HYGENIC

All stainless-steel tapware is produced using “Soft Silk” technology which ensures a smooth, non-porous internal surface, resulting in no bacteria or water contamination.

PREMIUM COMPONENTS

A 25mm ceramic disc cartridge combined with an easy glide handle provides smooth operation and precise temperature control.

5 STAR EFFICIENCY

All stainless steel mixers offer a 5 Star WELS rating providing the perfect balance of flow rate and efficiency.

COLOUR AND PROTECTION

A special PVD coating provides the mixer with its distinctive colour and a NANO SHIELD coating increases durability and aids in prolonging the finish.



PULL-OUT SHOWER HEAD



NANO SHIELD



PVD COATING

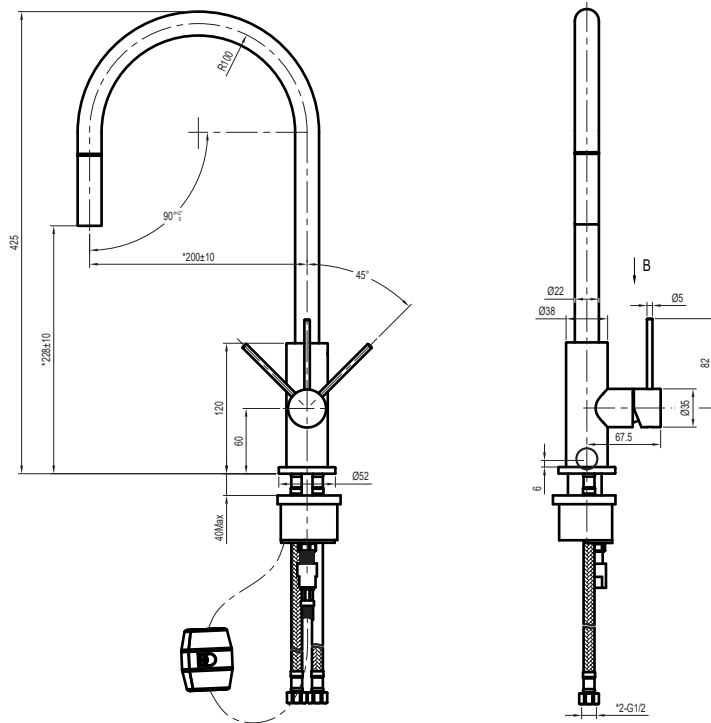


SWIVEL ACTION



STAR WELS RATING

Specifications, Dimensions and Installation



| FEATURES | |
|-------------------------------|------------------------------|
| Style | Gooseneck, Pull-Out |
| Tap Swivel Range | 180° |
| Cartridge Size (mm) | 25 |
| WELS Star Rating | 5 |
| Flow Rate (Litres Per Minute) | 5.5 |
| Body Diameter (mm) | 38 |
| Spout Reach (mm) | 200 |
| Mixer Height (mm) | 425 |
| Material | 304 Grade Stainless Steel |
| Finish | Rose Gold |
| INSTALLATION | |
| Cut-Out (mm) | Ø 35 |
| Minimum Operating Pressure | 150kPa |
| Minimum Operating Temperature | 1° |
| Maximum Operating Pressure | 500kPa |
| Maximum Operating Temperature | 70° |
| DIMENSIONS (PACKED) | |
| Width x Height x Depth (mm) | 520 x 86 x 335 |
| Gross Weight (kg) | 2.9 |
| DIMENSIONS (PRODUCT) | |
| Width x Height x Depth (mm) | 87.5 x 425 x 230 |
| Net Weight (kg) | 2.6 |
| WARRANTY | |
| Parts & Labour | 5 Years* |
| Cartridge | 10 Years (Replacement Only*) |

*Terms and Conditions apply



Scan for more info