

Slim Gooseneck Pull-Out Mixer

Stainless Steel | 25mm Cartridge | Light Gold Finish



5.5
Litres Per
Minute

304
Stainless
Steel

5
Year
Warranty*

*Parts & Labour
+ additional 5 Years
cartridge parts only

COLOURS



Light Gold: BDTG201LG
Stainless Steel: BDTG201X | Gun Metal: BDTG201GM
Matte Black: BDTG201MB | Rose Gold: BDTG201RG

PRODUCT FEATURES

BUILT TO ENDURE

Crafted from solid 304 grade stainless steel, Belling Design tapware is lead free and highly resistant to rust and not prone to chipping like a traditional chrome mixer.

HYGENIC

All stainless-steel tapware is produced using "Soft Silk" technology which ensures a smooth, non-porous internal surface, resulting in no bacteria or water contamination.

PREMIUM COMPONENTS

A 25mm ceramic disc cartridge combined with an easy glide handle provides smooth operation and precise temperature control.

5 STAR EFFICIENCY

All stainless steel mixers offer a 5 Star WELS rating providing the perfect balance of flow rate and efficiency.

COLOUR AND PROTECTION

A special PVD coating provides the mixer with its distinctive colour and a NANO SHIELD coating increases durability and aids in prolonging the finish.



PULL-OUT
SHOWER HEAD



NANO
SHIELD



PVD
COATING

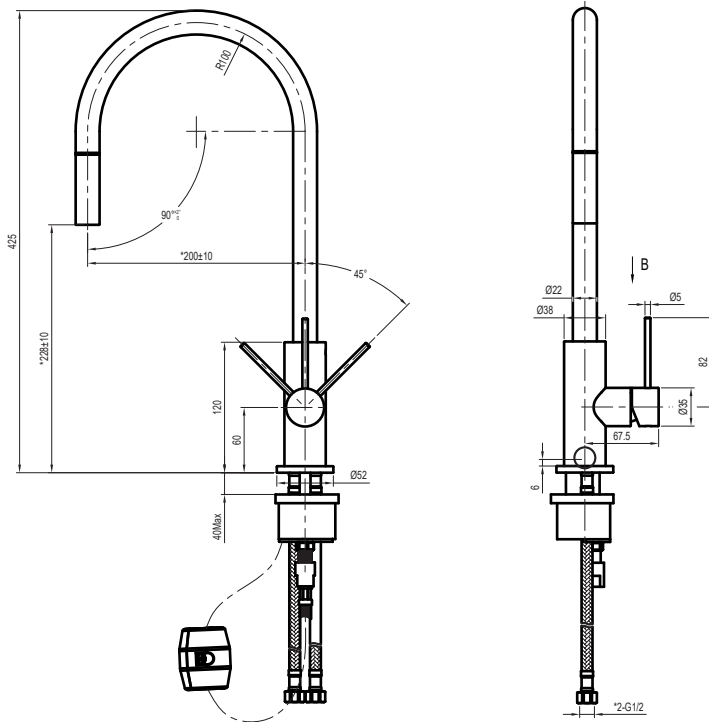


180°
SWIVEL
ACTION



STAR WELS
RATING

Specifications, Dimensions and Installation



FEATURES	
Style	Gooseneck, Pull-Out
Tap Swivel Range	180°
Cartridge Size (mm)	25
WELS Star Rating	5
Flow Rate (Litres Per Minute)	5.5
Body Diameter (mm)	38
Spout Reach (mm)	200
Mixer Height (mm)	425
Material	304 Grade Stainless Steel
Finish	Light Gold
INSTALLATION	
Cut-Out (mm)	Ø 35
Minimum Operating Pressure	150kPa
Minimum Operating Temperature	1°
Maximum Operating Pressure	500kPa
Maximum Operating Temperature	70°
DIMENSIONS (PACKED)	
Width x Height x Depth (mm)	520 x 86 x 335
Gross Weight (kg)	2.9
DIMENSIONS (PRODUCT)	
Width x Height x Depth (mm)	87.5 x 425 x 230
Net Weight (kg)	2.6
WARRANTY	
Parts & Labour	5 Years*
Cartridge	10 Years (Replacement Only*)

*Terms and Conditions apply



Scan for more info