

Slim Gooseneck Pull-Out Mixer

Stainless Steel | 25mm Cartridge | Gun Metal Finish

5.5
Litres Per Minute

304
Stainless Steel

5
Year Warranty*

*Parts & Labour + additional 5 Years cartridge parts only



COLOURS



Gun Metal: BDTG201GM
Stainless Steel: BDTG201X | Matte Black: BDTG201MB
Rose Gold: BDTG201RG | Light Gold: BDTG201LG

PRODUCT FEATURES

BUILT TO ENDURE

Crafted from solid 304 grade stainless steel, Belling Design tapware is lead free and highly resistant to rust and not prone to chipping like a traditional chrome mixer.

HYGENIC

All stainless-steel tapware is produced using "Soft Silk" technology which ensures a smooth, non-porous internal surface, resulting in no bacteria or water contamination.

PREMIUM COMPONENTS

A 25mm ceramic disc cartridge combined with an easy glide handle provides smooth operation and precise temperature control.

5 STAR EFFICIENCY

All stainless steel mixers offer a 5 Star WELS rating providing the perfect balance of flow rate and efficiency.

COLOUR AND PROTECTION

A special PVD coating provides the mixer with its distinctive colour and a NANO SHIELD coating increases durability and aids in prolonging the finish.



PULL-OUT SHOWER HEAD



NANO SHIELD



PVD COATING

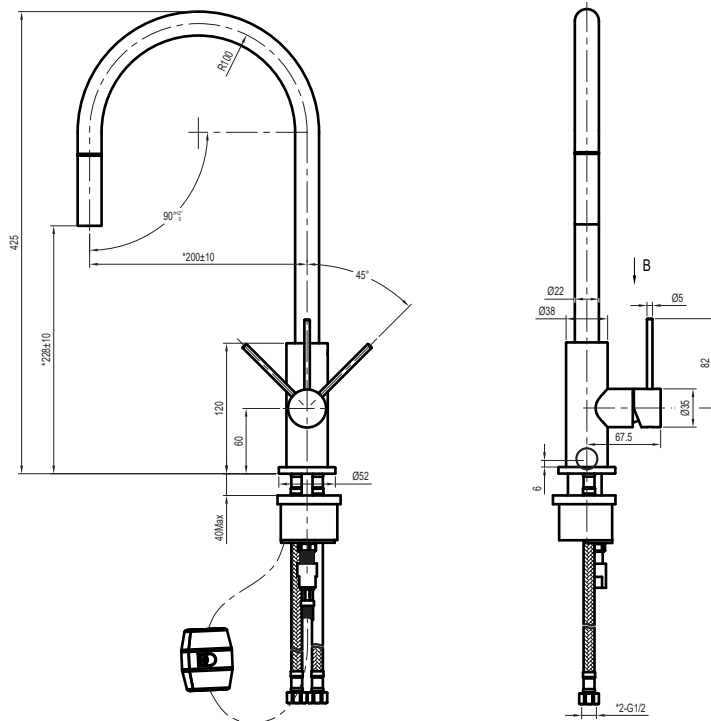


SWIVEL ACTION



STAR WELS RATING

Specifications, Dimensions and Installation



FEATURES	
Style	Gooseneck, Pull-Out
Tap Swivel Range	180°
Cartridge Size (mm)	25
WELS Star Rating	5
Flow Rate (Litres Per Minute)	5.5
Body Diameter (mm)	38
Spout Reach (mm)	200
Mixer Height (mm)	425
Material	304 Grade Stainless Steel
Finish	Gun Metal
INSTALLATION	
Cut-Out (mm)	Ø 35
Minimum Operating Pressure	150kPa
Minimum Operating Temperature	1°
Maximum Operating Pressure	500kPa
Maximum Operating Temperature	70°
DIMENSIONS (PACKED)	
Width x Height x Depth (mm)	520 x 86 x 335
Gross Weight (kg)	2.9
DIMENSIONS (PRODUCT)	
Width x Height x Depth (mm)	87.5 x 425 x 230
Net Weight (kg)	2.6
WARRANTY	
Parts & Labour	5 Years*
Cartridge	10 Years (Replacement Only*)

*Terms and Conditions apply



Scan for more info

Product and cut-out dimensions are to be used as a guide only. Please refer to actual product before installing, or refer to the instruction manual or website for full instructions

We reserve the right to make changes to products when considered necessary, without affecting the essential safety and operating characteristics. Whilst every effort is made to produce up to date literature, this document should not be regarded as an infallible guide.

VERSION NO. 20221104