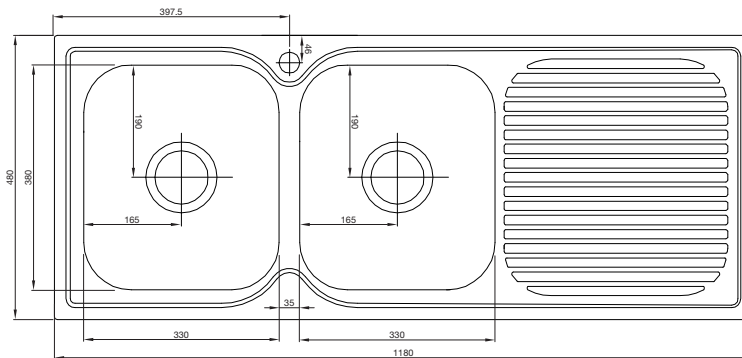


# Double Bowl with Drainer Inset Sink

Stainless Steel | Right Hand Drainer

**304**  
Stainless  
Steel

**10**  
Year  
Warranty



## COLOURS



Stainless Steel: BDST1121XR

Product and cut-out dimensions are to be used as a guide only. Please refer to actual product before installing, or refer to the instruction manual or website for full instructions

We reserve the right to make changes to products when considered necessary, without affecting the essential safety and operating characteristics. Whilst every effort is made to produce up to date literature, this document should not be regarded as an infallible guide.

## FEATURES

Corner Radius (mm)	80
No. of Waste Outlets	2
Drainer	Right Hand Side
Material	304 Grade / 0.8mm Thick Stainless Steel
Finish	Stainless Steel

## INSTALLATION

Installation Type	Topmount
Cut-Out: Width x Depth (mm)	1160 x 460
Cabinet Base (mm)	800

## DIMENSIONS (PACKED)

Width x Height x Depth (mm)	1235 x 220 x 535
Gross Weight (kg)	8.1

## DIMENSIONS (PRODUCT)

Width x Height x Depth (mm)	1180 x 180 x 480
Net Weight (kg)	5.6

## DIMENSIONS (BOWL)

Width x Height x Depth (mm)	330 x 180 x 380
-----------------------------	-----------------

## WARRANTY

Parts & Labour	1 Year*
Replacement	10 Years*

\*Terms and Conditions apply



TOPMOUNT



RIGHT HAND  
DRAINER



NOISE  
SUPPRESSION



80mm

CORNER  
RADIUS



Scan for more info