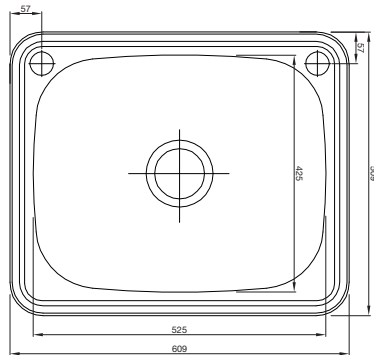


600mm Laundry Trough

Stainless Steel

304
Stainless
Steel

10
Year
Warranty



COLOURS



Stainless Steel: BDST6010X

FEATURES	
Corner Radius (mm)	115
No. of Waste Outlets	1
Drainer	N/A
Material	304 Grade / 0.8mm Thick Stainless Steel
Finish	Stainless Steel
ACCESSORIES	
Bypass Kit	Included
INSTALLATION	
Installation Type	Topmount
Cut-Out: Width x Depth (mm)	580 x 480
Cabinet Base (mm)	700
DIMENSIONS (PACKED)	
Width x Height x Depth (mm)	665 x 285 x 565
Gross Weight (kg)	5.3
DIMENSIONS (PRODUCT)	
Width x Height x Depth (mm)	609 x 250 x 509
Net Weight (kg)	3.3
DIMENSIONS (BOWL)	
Width x Height x Depth (mm)	525 x 250 x 425
WARRANTY	
Parts & Labour	1 Year*
Replacement	10 Years*

*Terms and Conditions apply



TOPMOUNT



NOISE
SUPPRESSION



115mm

CORNER
RADIUS



Scan for more info

Product and cut-out dimensions are to be used as a guide only. Please refer to actual product before installing, or refer to the instruction manual or website for full instructions

We reserve the right to make changes to products when considered necessary, without affecting the essential safety and operating characteristics. Whilst every effort is made to produce up to date literature, this document should not be regarded as an infallible guide.

VERSION NO. 20221118