

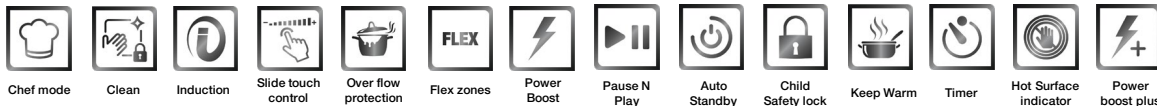
# 90cm Induction Cooktop

5 Zone Induction Cooktop with 2 Flex-Zones and Touch + Slide Controls



**5**  
Year  
warranty

**Made in  
Europe**



## PRODUCT FEATURES

### PREMIUM MATTE-GREY CERAMIC SURFACE

Made from premium Eurokera ceramic glass with a stylish Matte-Grey effect and finished with bevelled edges, this cooktop adds a high-end, minimalist style to your kitchen.

### CHEF MODE

The Belling Chef Mode allows you to choose between different pre-set heated zones just by moving your cookware across the surface. Go from a low simmer to rapid boil to keep warm by simply placing your pan on different zones to cook like a true chef!

### TOUCH + SLIDE CONTROL

The Belling Touch + Slide controls are designed to be effortlessly easy to use. Simply activate the desired zone and slide your finger across the touch bar to select the perfect power or timer setting.

### BELLING FLEX-ZONES

The Belling Flex Zone feature enables the square zones on the right and left-hand sides to be bridged together to accommodate even the largest of cookware.

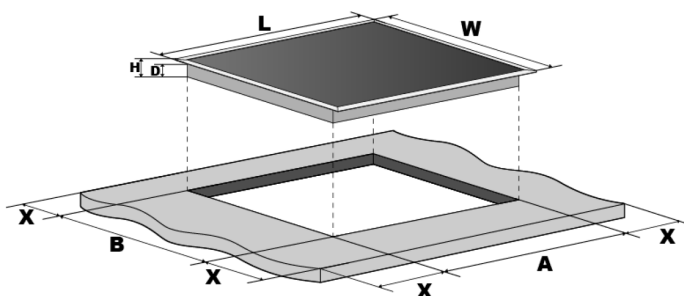
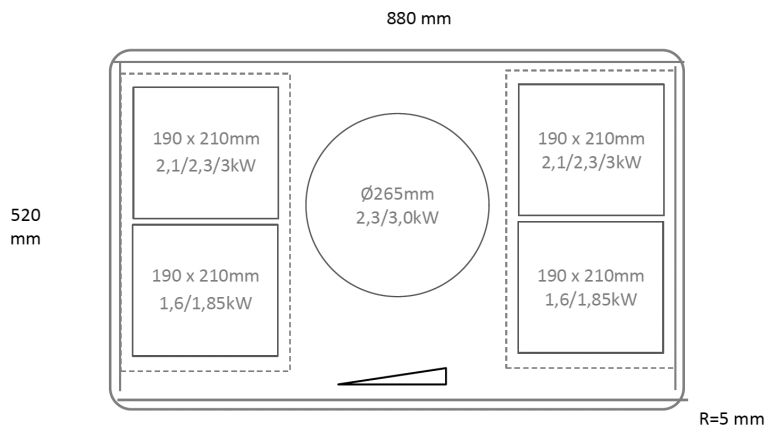
### PAUSE COOKING FUNCTION

This useful function allows you to pause your cooking at any stage if life's interruptions take you away from the kitchen. Simply press the pause button again when you're ready to resume.

### BELLING FAMILY

Matching finishes to the Belling Design Collection range provides a high-end, stylish look to any kitchen.

# Specifications, Dimensions and Installation



	L (mm)	W (mm)	H (mm)	D (mm)	A (mm)	B (mm)	X (mm)
<b>BDC95IN2F</b>	880	520	55	55	810	490	50 min

FEATURES	
Number of zones	5
Power levels	9 (per zone)
Keep warm	Yes (70° min)
Boost	5
Double Boost	2
Chef Mode	Yes
Flex Zone(s)	2
Cooking surface	Eurokera ceramic glass
Surface finish	Matte-Grey
Bevelled edges	Yes
Controls	Touch + Slide control
LED colour	Red
Cooking cut-off timer	Yes, one each zone
Independent egg timer	Yes
Pause / Recall function	Yes
Hot surface indicators	Yes
Child Lock	Yes
Overflow protection	Yes
Cleaning function	Yes
Country of Origin	France

INSTALLATION		
Rated voltage	220 - 240V, 50 / 60Hz	
Installed power	10,400W	
Installation Type	Top mounted	
COOKING ZONES	Diameter (mm)	Output (W)
Front Left	190 x 210	1600 – 1850
Front Right	190 x 210	1600 – 1850
Centre	265	2300 – 3000
Rear Left	190 x 210	2100 – 3000
Rear Right	190 x 210	2100 – 3000
<b>Total Power</b>	<b>10,400W</b>	
DIMENSIONS (PACKED)		
Width x Height x Depth (mm)	1030 (w) x 100 (h) x 625 (d)	
Gross weight (kg)	17.2	
DIMENSIONS (PRODUCT)		
Width x Height x Depth (mm)	880 (w) x 55 (h) x 520 (d)	
Net weight (kg)	14.8	
DIMENSIONS (CUT-OUT)		
Width x Height x Depth (mm)	810 (w) x 55 (h) x 490 (d)	