

Top Mount Stainless Steel Fridge Freezer



Features & Benefits

Reversible doors

Choose the direction (left or right) your fridge freezer doors swing open to suit your home

269L Capacity

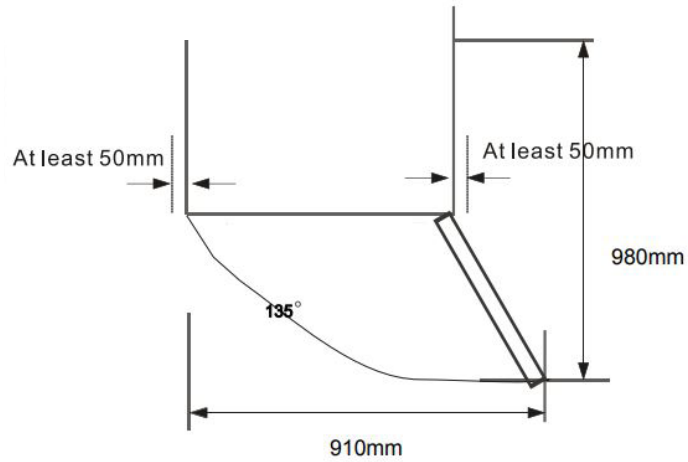
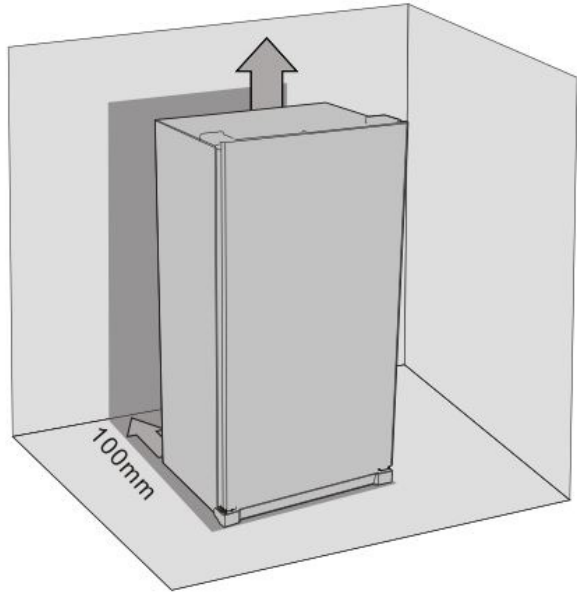
Featuring a vegetable crisper with humidity control, adjustable safety glass shelves, adjustable door balconies and chiller zone

LED lighting

Making life easier, LED lighting is equally useful for helping you find your missing jar of relish at the back of the fridge, and reducing heat and energy usage

2 Year Warranty

Specifications, Dimensions and Installation



BC269TMF

CAPACITY	
Total Gross Capacity (L)	269
Freezer Gross Capacity (L)	
Refrigerator Gross Capacity (L)	
FEATURES	
Adjustable Front Legs	Yes
Handle	Recessed
Temperature Control	Electronic/knob
Finish	Stainless steel
DIMENSIONS (W x H x D)	
Product (mm)	550 x 1670 x 600
Weight (kg)	54