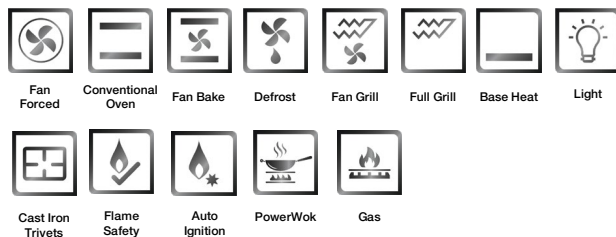


90cm Dual Fuel Upright Cooker

Matte Black Upright Cooker with 5 Gas Burners and 8 Cooking Functions



PRODUCT FEATURES

PREMIUM STAINLESS STEEL SURFACE

Made from 304 grade Italian stainless steel providing a sleek and stylish look to your kitchen as well as being easy to clean.

5 BURNERS WITH TWIN WOKS

Italian made burners including two high-power Double Crown burners provide precise control and even heat distribution; perfect for all varieties of food.

CAST IRON TRIVETS

Heavy duty cast iron trivets provide a stable cooking surface so pans can easily move across the burners.

TELESCOPIC RAIL

The $\frac{3}{4}$ extension telescopic rail allows you to effortlessly slide oven accessories in and out of the cavity. Perfect for handling heavy baking trays when preparing a Sunday roast!

LARGE OVEN CAPACITY

Maximum capacity, endless results. With a 121 litre total oven capacity, you have the freedom to cook whatever your heart desires.

DIGITAL PROGRAMMER

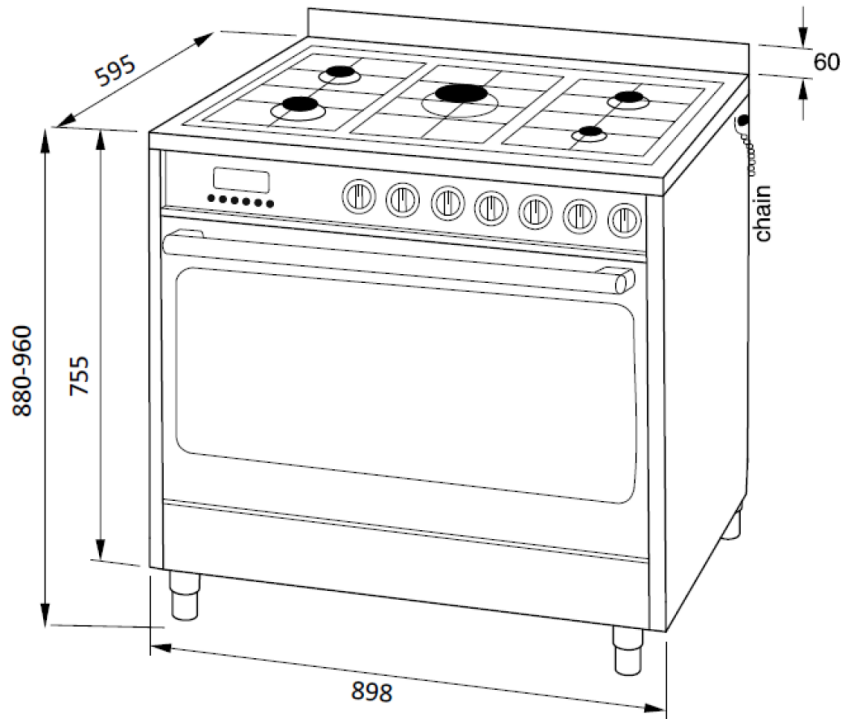
The programmable timer allows you to set a simple minute minder as well as program your start time and cooking duration, for ultimate flexibility.

BELLING FAMILY

Matching finishes to the Belling Design Collection range provides a high-end, stylish look to any kitchen.



Specifications, Dimensions and Installation



OVEN FUNCTIONS	
Fan Forced	Yes
Conventional Oven	Yes
Grill	Yes
Fan Grill	Yes
Fan Bake	Yes
Base Heat	Yes
Defrost	Yes
Light	Yes

CONTROL PANEL	
Clock / Timer	Digital programmable timer
LED colour	Red
Control knobs	Black soft-touch knobs

TIMER	
Minute minder	Yes
Automatic program timer	Yes
Child lock	Yes

OVEN FEATURES	
Energy rating (European)	'A' class
Actual capacity (litres)	121
Usable capacity (litres)	115
Door glass	Triple glazed
Door hinge	Anti-slam
No. of shelf positions	5
Cavity cooling system	Yes
Lights	1, rear position

COOKING ZONES	NG	LPG
Front Left – Wok burner	14.0 MJ	12.4 MJ
Rear Left – Rapid	10.8 MJ	8.9 MJ
Centre – Wok burner	14.0 MJ	12.4 MJ
Front Right – Rapid	10.8 MJ	8.9 MJ
Rear Right – Auxiliary	4.0 MJ	3.1 MJ
Total Output	53.6 MJ	45.7 MJ

ACCESSORIES	
Telescopic rails	1 x ¾ extraction
No. of chrome shelves (grids)	2
Deep-dish oven tray + insert	1
Standard oven tray	1

INSTALLATION	
Installation type	Freestanding
Electrical connection	15A hardwire
Power	220 - 240V, 50 / 60Hz

DIMENSIONS (PACKED)	
Width x Height x Depth (mm)	TBC
Gross weight (kg)	TBC

DIMENSIONS (PRODUCT)	
Width x Height x Depth (mm)	898 (w) x 880-960* (h) x 595 (d)
Net weight (kg)	90kg

DIMENSIONS (CUT-OUT)	
Width x Height x Depth (mm)	900 (w) x 880-960* (h) x 600 (d)

*This dimension varies due to adjustable legs and levelling feet