

90x60cm Built-in Black Glass Oven

8 Function Oven with LED Display and 135 Litre Capacity



PRODUCT FEATURES

'PURE BLACK' OVEN GLASS

The 'Pure Black' glass appears totally black when not in use, providing an effortlessly sleek finish to your kitchen. The glass becomes fully transparent when the oven lights are on so you can check the status of your cooking with ease.

HUGE 135 LITRE OVEN CAPACITY

Maximum capacity, endless results. With a 135 litre total oven capacity, you have the freedom to cook whatever your heart desires.

EXTRA-LARGE OVEN TRAY

The class leading 50mm deep Extra-Large oven tray lets you utilise the huge oven capacity to the fullest, giving you ultimate flexibility to cook for the whole family.

TWIN FAN SYSTEM

The Belling Twin Fan System achieves perfect heat distribution throughout the oven cavity, for excellent results every time.

SOFT-CLOSING DOOR

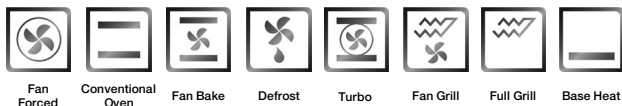
The Belling door hinge has a soft-closing feature, enabling the door to close gently with an effortless motion and prevents the door from slamming shut.

DIGITAL PROGRAMMER

The programmable timer allows you to set a simple minute minder as well as program your start time and cooking duration, for ultimate flexibility.

BELLING FAMILY

Matching finishes to the Belling Design Collection range provide a high-end, stylish look to any kitchen.



Fan Forced

Conventional Oven

Fan Bake

Defrost

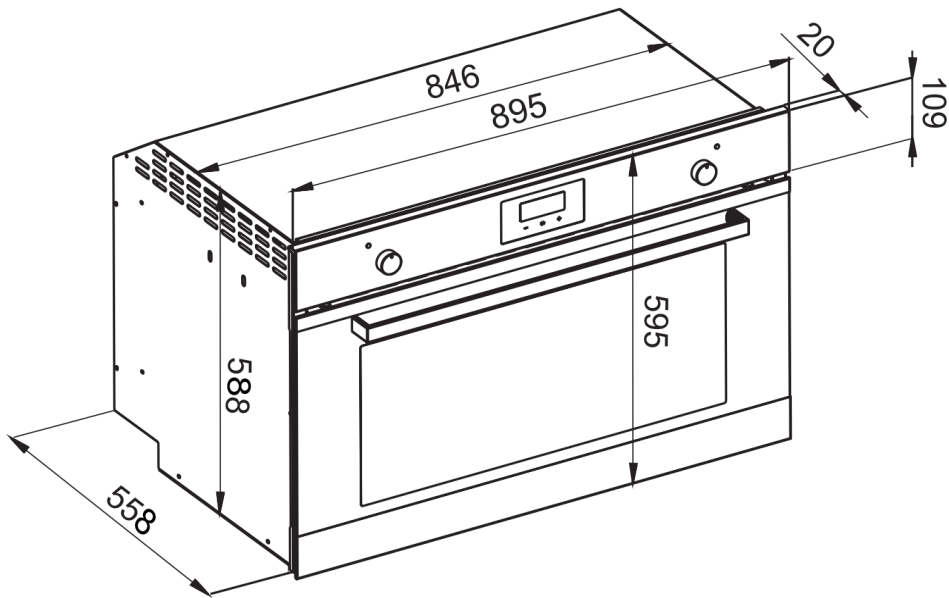
Turbo

Fan Grill

Full Grill

Base Heat

Specifications, Dimensions and Installation



OVEN FUNCTIONS	
Fan Forced	Yes
Conventional	Yes
Fan Bake	Yes
Base Heat	Yes
Grill	Yes
Fan Grill	Yes
Defrost	Yes
Light	Yes

CONTROL PANEL	
Clock / Timer	Digital program timer
LED colour	White
Control	Black rotary knob

TIMER	
Minute minder	Yes
Automatic program timer	Yes
Child Lock	Yes

OVEN FEATURES	
Energy rating (EU standard)	'A' class
Actual capacity (litres)	135
Usable capacity (litres)	120
Interior finish	Ultra-Clean Grey Enamel
Door glass	Triple glazed
Removable inner glass	Yes
Door hinge	Soft Closing
No. of shelf positions	5
Cooking fans	2
Cavity cooling system	Yes
Lights	Twin lighting system

ACCESSORIES	
Chrome side-racks	Yes
No. of chrome shelves (grids)	2
Extra-Large oven tray + insert	1
Standard oven tray	1

INSTALLATION	
Installation type	Flush Fit; under-bench or wall unit
Electrical connection	15A hardwire
Power	220 – 240V, 50 / 60Hz
Total power	3150W

DIMENSIONS (PACKED)	
Width x Height x Depth (mm)	937 (w) x 645 (h) x 702 (d)
Gross weight (kg)	65.2

DIMENSIONS (PRODUCT)	
Width x Height x Depth (mm)	895 (w) x 595 (h) x 558 (d)
Net weight (kg)	61.2

DIMENSIONS (CUT-OUT)	
Width x Height x Depth (mm)	900 (w) x 600 (h) x 560min (d)