

90x60cm Built-in Black Glass Oven

11 Function Oven with Full-Touch Display and 135 Litre Capacity



PRODUCT FEATURES

'PURE BLACK' OVEN GLASS

The 'Pure Black' glass appears totally black when not in use, providing an effortlessly sleek finish to your kitchen. The glass becomes fully transparent when the oven lights are on so you can check the status of your cooking with ease.

HUGE 135 LITRE OVEN CAPACITY

Maximum capacity, endless results. With a 135 litre total oven capacity, you have the freedom to cook whatever your heart desires.

EXTRA-LARGE OVEN TRAY

The 50mm Extra-Large oven tray lets you utilise the huge oven capacity to its fullest, giving you ultimate flexibility to cook for the whole family.

TWIN FAN SYSTEM

The Belling Twin Fan System achieves perfect heat distribution throughout the oven cavity, for excellent results every time.

SOFT-CLOSING DOOR

The Belling door hinge has a soft-closing feature, enabling the door to close gently with an effortless motion and prevents the door from slamming shut.

EASYFIX TELESCOPIC RAIL

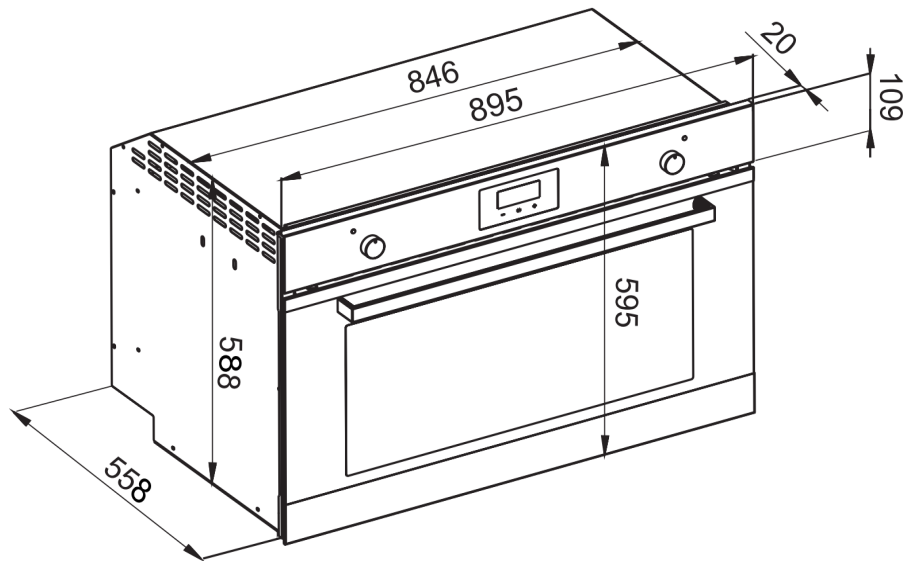
The full-extension EasyFix telescopic rail allows you to effortlessly slide oven accessories in and out of the cavity. Perfect for handling heavy baking trays when preparing a Sunday roast.

BELLING FAMILY

Matching finishes to the Belling Design Collection range provide a high-end, stylish look to any kitchen.



Specifications, Dimensions and Installation



| OVEN FUNCTIONS | |
|-------------------|-----|
| Fan Forced | Yes |
| Conventional Oven | Yes |
| Turbo | Yes |
| Half Grill | Yes |
| Full Grill | Yes |
| Fan Grill | Yes |
| Fan Bake | Yes |
| Base Heat | Yes |
| Top Heat | Yes |
| Defrost | Yes |
| Keep Warm | Yes |

| CONTROL PANEL | |
|---------------|----------------------|
| Clock / Timer | LED Display |
| LED colour | White |
| Controls | Full-touch interface |

| TIMER | |
|-------------------------|-----|
| Minute minder | Yes |
| Automatic program timer | Yes |
| Time of Day | Yes |
| Child Lock | Yes |

| OVEN FEATURES | |
|-----------------------------|-------------------------|
| Energy rating (EU standard) | 'A' class |
| Actual capacity (litres) | 135 |
| Usable capacity (litres) | 120 |
| Interior finish | Ultra-Clean Grey Enamel |
| Door glass | Triple glazed |
| Removable inner glass | Yes |
| Door hinge | Soft Closing |
| No. of shelf positions | 5 |
| Cooking fans | 2 |
| Cavity cooling system | Yes |
| Lights | Twin lighting system |

| ACCESSORIES | |
|--------------------------------|------------------------------|
| Telescopic rails | 1 x full extension - EasyFix |
| Chrome side-racks | Yes |
| No. of chrome shelves (grids) | 2 |
| Extra-Large oven tray + insert | 1 |
| Standard oven tray | 1 |

| INSTALLATION | |
|-----------------------|-------------------------------------|
| Installation type | Flush Fit; under-bench or wall unit |
| Electrical connection | 15A hardwire |
| Power | 220 - 240V, 50 / 60Hz |
| Total power | 3150W |

| DIMENSIONS (PACKED) | |
|-----------------------------|-----------------------------|
| Width x Height x Depth (mm) | 937 (w) x 645 (h) x 702 (d) |
| Gross weight (kg) | 65.2 |

| DIMENSIONS (PRODUCT) | |
|-----------------------------|-----------------------------|
| Width x Height x Depth (mm) | 895 (w) x 595 (h) x 558 (d) |
| Net weight (kg) | 61.2 |

| DIMENSIONS (CUT-OUT) | |
|-----------------------------|--------------------------------|
| Width x Height x Depth (mm) | 900 (w) x 600 (h) x 560min (d) |