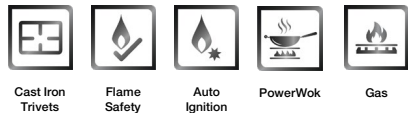


60cm Stainless Steel Gas Cooktop

4 Gas Burners with Premium Cast Iron Trivets and High-Power Wok Burner



PRODUCT FEATURES

PREMIUM STAINLESS STEEL SURFACE

Made from 304 grade Italian stainless steel providing a sleek and stylish look to your kitchen as well as being easy to clean

4 BURNERS WITH WOK

Italian made burners including a high-power Defendi wok burner provide precise control and even heat distribution; perfect for all varieties of food.

CAST IRON TRIVETS

Heavy duty cast iron trivets provide a stable cooking surface so pans can easily move across the burners. Includes a cast iron wok trivet and small pot stand.

FLAME SAFETY

All gas burners are fitted with a flame failure safety device. If the flame goes out accidentally, the gas turns off automatically.

EASY TO USE CONTROLS

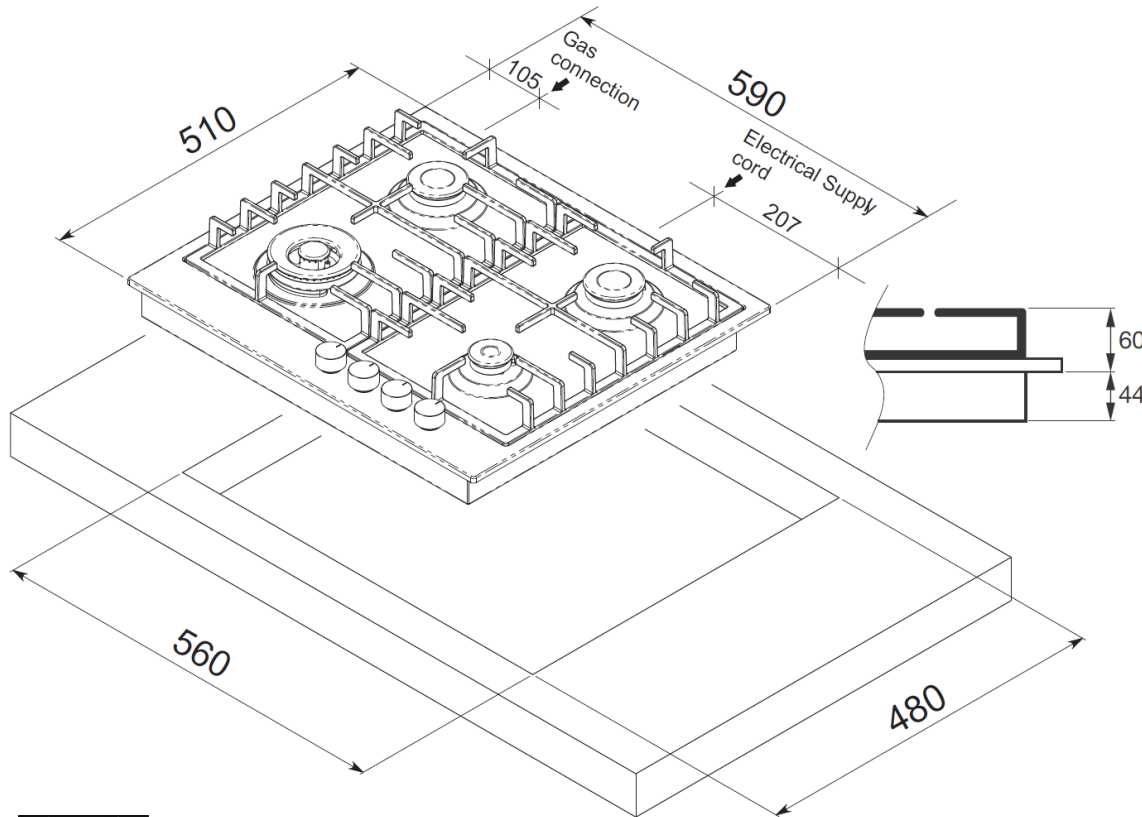
Easy to access front knob controls include one-hand electronic ignition for each gas burner.

BELLING FAMILY

Matching finishes to the Belling Design Collection range provides a high-end, stylish look to any kitchen.



Specifications, Dimensions and Installation



Also available in black glass - BDC604BK

FEATURES		
Number of burners	4 burners with PowerWok	
Trivet Type	Durable Cast-Iron	
Finish	304 Stainless Steel	
Flame Failure Safety Device	Yes	
Ignition	Electronic under knob ignition	
Accessories	Cast Iron Wok Support	
	Cast-Iron Pot Stand	
Country of Origin	Italy	
COOKING ZONES		
	NG	LPG
Front Left – Wok burner	14.9 MJ	12.8 MJ
Front Right – Auxiliary	3.4 MJ	3.4 MJ
Rear Right – Semi Rapid	6.3 MJ	5.6 MJ
Rear Left – Semi Rapid	6.3mJ	5.6 MJ
Total Consumption	30.9 MJ	27.4 MJ
INSTALLATION		
Power	220 – 240V, 50 / 60Hz	
Electrical connection	10A Plug and Lead	
Installation Type	Top mounted	
DIMENSIONS (PACKED)		
Width x Height x Depth	655 (w) x 140 (h) x 580 (d)	
Gross weight (kg)	11.6	
DIMENSIONS (PRODUCT)		
Width x Height x Depth	590 (w) x 60 (h) x 510 (d)	
Net weight (kg)	10.2	
DIMENSIONS (CUT-OUT)		
Width x Depth	560 (w) x 44 (h) x 480 (d)	