

60cm Freestanding Dishwasher

14 Place Settings, 5 Wash Programs



Side
Cutlery
Tray



Mini 30
Wash



Half
Load

PRODUCT FEATURES

14 PLACE SETTINGS

Never run short of space with 14 place settings and plenty of flexible loading options with sliding cutlery basket as well as adjustable upper shelf to create more room on the lower basket.

5 WASH PROGRAMS

Ranging from a Mini 30 minute program for when you need clean dishes in a hurry, through to an Intensive 70° wash for those pans with baked on food, all bases are covered with the choice of 5 wash programs.

HALF LOAD FUNCTION

Engage the half load function to save on energy and water when the dishwasher is only partially full.

AQUA STOP

Positioned at the water inlet, the Aqua Stop valve only opens when the dishwasher is turned on and running, therefore preventing flooding when the dishwasher is not use.

POWERFUL SPRAY ARM

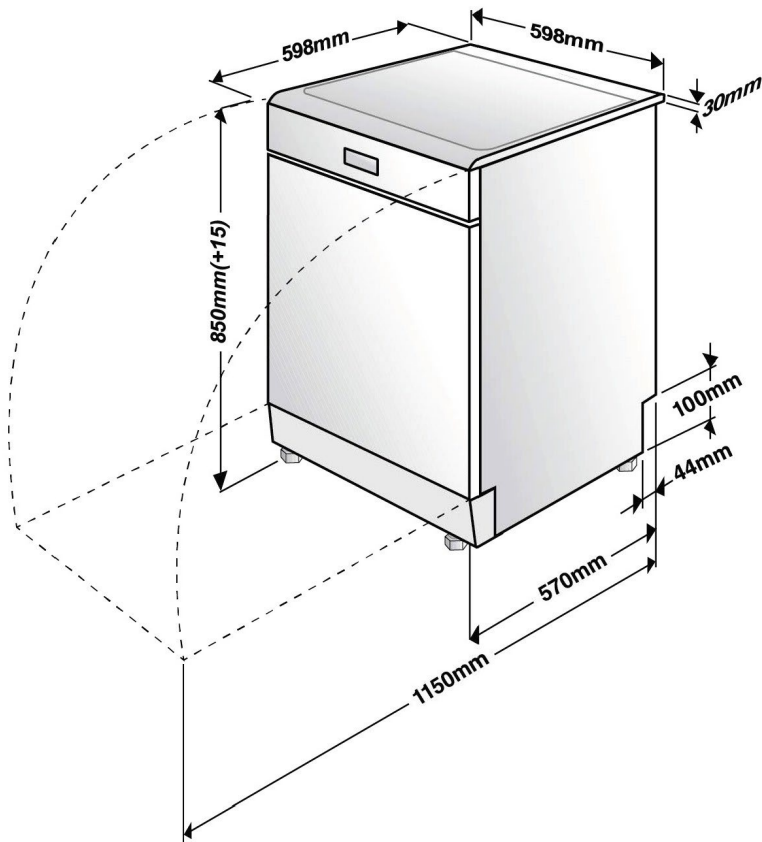
The heavy-duty spray arms are more powerful than ever, and are able to reach even the toughest of stains so that your dishes come out sparkling clean.

BELLING FAMILY

Matching finishes to the Belling Design Collection range provide a high-end, stylish look to any kitchen.



Specifications, Dimensions and Installation



FEATURES	
Finish	Stainless Steel
Place Settings	14
Display	LED Indicator
Controls	Electronic Push Button
Cutlery Tray	Mini Side Tray
Upper Basket Type	3 Levels (Fully Loaded)
Cutlery Basket	Included
No. of Spray Arms	2
Adjustable Plate Holders	3
HydroSense	No
Drying System	Natural
Delay Start	No
Flood Protection	Overflow Sensor + Aquastop
Rinse Aid Indicator	Yes
Internal Tub Material	Stainless Steel
Filter Type	3 Stage
PROGRAMS	
Program 1	Eco 45°
Program 2	Intensive 70°
Program 3	Daily 65°
Program 4	Quick 60°
Program 5	Mini 35°
AUXILIARY FUNCTIONS	
Function 1	Half Load

SPECIFICATIONS	
Installation Type	Free Standing
Electrical connection	10A Plug
Power	220 - 240V / 50Hz
Total Wattage	1800 - 2100W
Heating Element	1800W
Motor	Universal
Energy Rating	3 Star
Water Rating	3.5 Star
Noise Level	52dBA

DIMENSIONS (W x H x D)	
Product Boxed (mm)	57 x 897 x 674
Product Un-Boxed (mm)	598 x 850 - 865 x 598
Cut-Out (mm)	600 x 855 - 870 x 600

WEIGHT	
Product Boxed (kg)	45.2
Product Un-Boxed (kg)	45.2

WARRANTY	
Product	5 Years Parts & Labour

