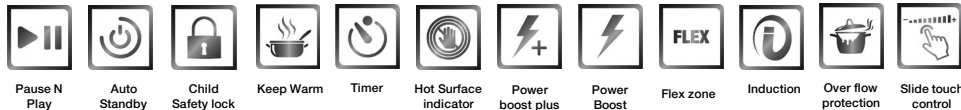


60cm Induction Cooktop

4 zone Induction Cooktop with Flex-Zone and Touch + Slide Controls



PRODUCT FEATURES

PREMIUM MATTE-GREY CERAMIC SURFACE

Made from premium Eurokera ceramic glass with a stylish Matte-Grey effect and finished with bevelled edges, this cooktop adds a high-end, minimalist style to your kitchen.

4 COOKING ZONES

Four German-made induction elements give you ultimate control of your cooking, with various zone sizes to suit all types of cookware.

TOUCH + SLIDE CONTROL

The Belling Touch + Slide controls are designed to be effortlessly easy to use. Simply activate the desired zone and slide your finger across the touch bar to select the perfect power or timer setting.

BELLING FLEX-ZONE

The Belling Flex Zone feature enables the two left-hand zones to be bridged together to accommodate even the largest of cookware.

PAUSE COOKING FUNCTION

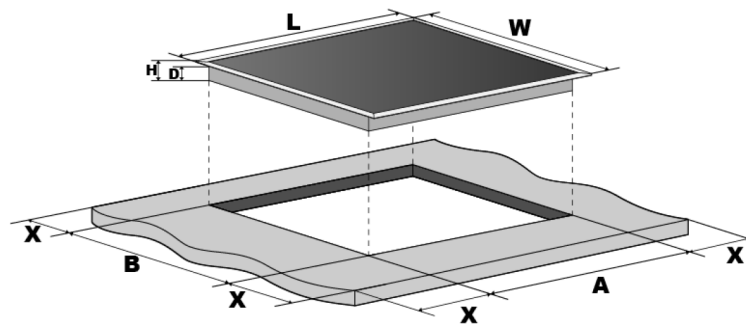
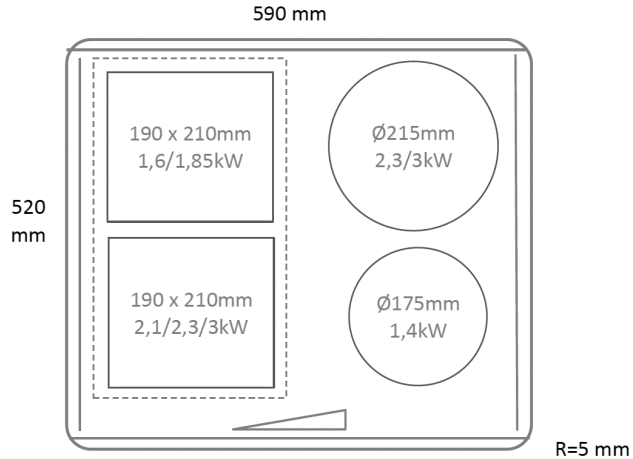
This useful function allows you to pause your cooking at any stage if life's interruptions take you away from the kitchen. Simply press the pause button again when you're ready to resume.

BELLING FAMILY

Matching finishes to the Belling Design Collection range provides a high-end, stylish look to any kitchen.



Specifications, Dimensions and Installation



	L (mm)	W (mm)	H (mm)	D (mm)	A (mm)	B (mm)	X (mm)
BDC64INF	590	520	57	53	560	490	50 min.

FEATURES	
Number of zones	4
Power levels	9 (per zone)
Keep warm	Yes (70° min)
Boost / Double Boost	3 (Boost) / 1 (Double Boost)
Flex Zone	Yes
Cooking surface	Eurokera ceramic glass
Bevelled edges	Yes
Controls	Touch + Slide control
Cooking timer	Yes, one each zone
Pause / Recall function	Yes
Hot surface indicators	Yes
Child Lock	Yes
Overflow protection	Yes
Country of Origin	France

COOKING ZONES	Diameter (mm)	Output (W)
Front Left	190 x 210mm	2100 – 3000W
Front Right	175mm	1400W
Rear Left	190 x 210mm	1600 – 1850W
Rear Right	215mm	2300 – 3000W
Total Power		7400W

INSTALLATION	
Rated voltage	220 - 240V, 50 / 60Hz
Installed power	7400W
Installation Type	Top mounted

DIMENSIONS	
Dimensions (Packed)	650 (w) x 95 (h) x 600 (d)
Gross weight (kg)	11.9kg
Dimensions (Product)	590 (w) x 57 (h) x 520 (d)
Net weight (kg)	11.0kg