

28L Built-In Microwave Oven

900W Microwave Power, Auto-Cooking Menus, 5 Power Levels, White LED Display



Microwave Programs



Defrost



Light



Automatic Functions

PRODUCT FEATURES

28 LITRE OVEN CAPACITY

Large capacity for ultimate flexibility. The 28L cavity is large enough for the whole family, and finished in stainless steel for easy cleaning

DIGITAL DISPLAY

The white LED digital display features a convenient kitchen timer, as well as displaying the remaining program duration and time of day.

AUTO COOKING FUNCTIONS

The added convenience of 8 automatic cooking functions with default weight settings helps achieve perfect results every time.

PRECISE HEATING CONTROL

With 5 power levels to choose from you can accurately control the microwave power for all types of food and beverages.

DEFROST SETTINGS

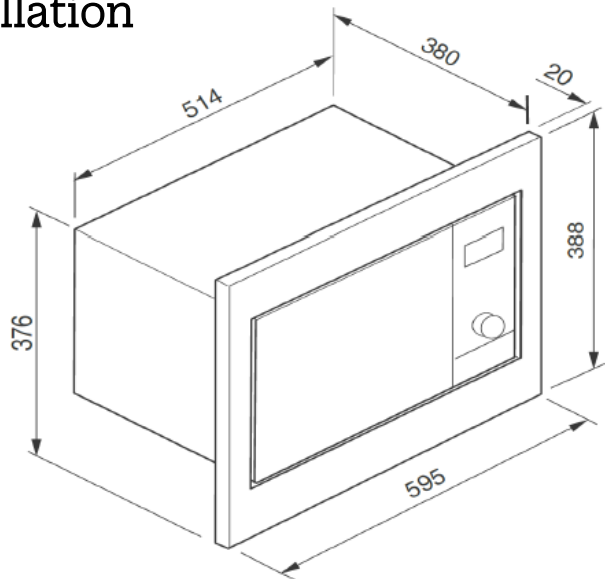
Select Defrost by Time to set a duration up to 95 minutes, or take the guesswork out by using the preset Defrost by Weight function, which automatically adjusts the program duration for ideal results.

BELLING FAMILY

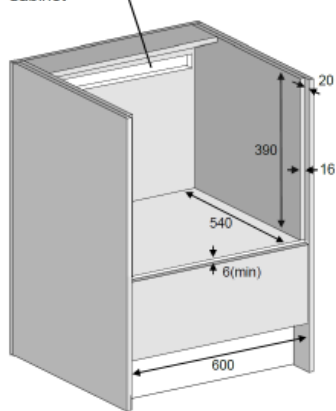
Matching finishes to the Belling Design Collection range provides a high-end, stylish look to any kitchen.



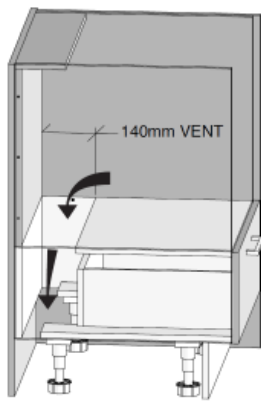
Specifications, Dimensions and Installation



Ventilation: Option 1
Cutout 45mm x 500mm top rear of cabinet



Ventilation: Option 2
140mm x cabinet width vented down into kick panel space



OVEN FUNCTIONS	
Microwave	Yes
30' Quick Start	Yes
Defrost by Weight	Yes
Defrost by Time	Yes
Multi-Stage Cooking	Yes
Speed Cooking	Yes
Automatic Cooking Functions	8

CONTROL PANEL	
Timer	LED
LED colour	White
Control type	Rotary knob + buttons

DISPLAY	
Time of Day	Yes
Kitchen Timer	Yes
Remaining Time	Yes
Child Lock	Yes

CAVITY FEATURES	
Actual capacity (litres)	28L
Interior Finish	Stainless Steel
Glass Turntable	Yes
Turntable Diameter (mm)	315
Interior Lighting	Yes
Door handle	Push handle
Door opening	Side Opening

INSTALLATION	
Installation type	Under-bench or wall unit
Flush fit	Yes
Electrical connection	10A Plug & Lead
Power	220 – 240V / 50Hz
Rated Input Power	1450W
Rated Output Power	900W

DIMENSIONS (PACKED)	
Width x Height x Depth (mm)	653(w) x 466(h) x 500(d)
Gross weight (kg)	20.59kg

DIMENSIONS (PRODUCT)	
Width x Height x Depth (mm)	595(w) x 388(h) x 400(d)
Gross weight (kg)	17.95kg

DIMENSIONS (CUT-OUT)	
Width x Height x Depth (mm)	600 (w) x 390 (h) x 600min (d)