

14cm Built-In Warming Drawer

22L Capacity with 9 Temperature Settings and Digital Touch Control



PRODUCT FEATURES

22 LITRE CAPACITY

With a 22 litre capacity, you can load up to 6 place settings to pre-heat dinnerware before serving, or up to 80 espresso cups for an ultimate café experience at home.

FOOD WARMING & DEFROST

With a dedicated 'Keep Warm' function, you can place your completed dishes inside to maintain a safe serving temperature while you finish preparing your meal. This feature can also be used on a lower temperature to rapidly defrost frozen food.

SLOW COOKING

Food can be cooked to a core temperature of up to 70°C in the warming drawer. This feature is particularly suitable for large, tender pieces of meat to maintain flavour and juiciness while cooking.

SOFT-CLOSING DRAWER

The warming drawer is fitted with a soft-closing mechanism, enabling the door to close gently with an effortless motion and prevents the door from slamming shut.

MULTI-TEMP CONTROL & DIGITAL TIMER

With up to 9 temperature settings ranging from 40-80°C, as well as a timer to set your heating duration, you can easily select your preferred settings using the digital touch control interface.

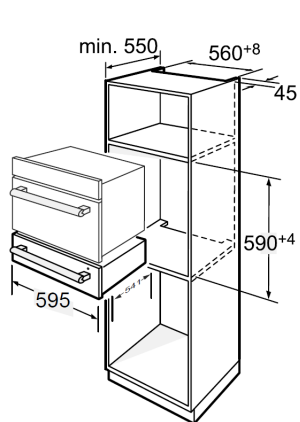
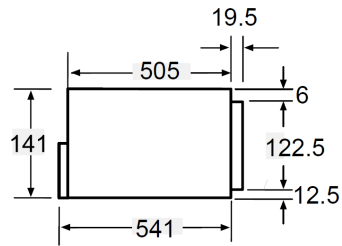
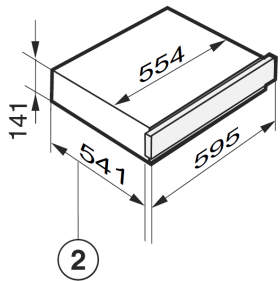
BELLING FAMILY

Matching finishes to the Belling Design Collection range provides a high-end, stylish look to any kitchen.

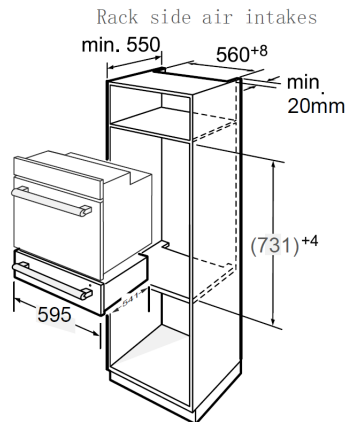


Specifications, Dimensions and Installation

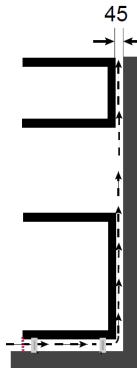
- ① Ventilation cut-out required when combined with a pyrolytic oven
- ② Building-in dimension including mains supply cable connection
Connection cable L = 1000 mm



Compact appliances H:454mm



Big Oven H:595mm



FUNCTIONS	
Food Warming	Yes
Low Temperature Cooking	Yes
Defrosting	Yes
Cups & Glasses Warming	Yes
Plates & Dishes Warming	Yes
Cookware & Utensil Warming	Yes
Dough Proving	Yes
Sterilising	Yes

INSTALLATION / CONNECTION	
Installation type	Under-bench or wall unit
Electrical connection	10A Plug & Lead
Rated voltage	220 – 240V, 50 / 60Hz
Heating Output	600W
Total Rated Power	1000W

DIMENSIONS (PACKED)	
Width x Height x Depth (mm)	705 (w) x 210 (h) x 640 (d)
Gross weight (kg)	20.5

DIMENSIONS (PRODUCT)	
Width x Height x Depth (mm)	595 (w) x 141 (h) x 541 (d)
Gross weight (kg)	18

DIMENSIONS (CUT-OUT)	
Width x Height x Depth (mm)	598 (w) x 141 (h) x 550min (d)

CONTROL PANEL	
Clock / Timer	Digital Timer
Control type	Touch control
Temperature Control	Yes
Start / Pause	Yes

PRODUCT FEATURES	
Actual capacity (litres)	22L
Cavity finish	Stainless steel
Cavity Dimensions (mm)	97.2 (h) x 540 (w) x 420 (d)
Temperature Settings	9
Temperature Range	40°C - 80°C
Max. Place Settings	6
Max. Dinner Plates (26cm)	12
Max. Espresso Cups	80
Max. Weight Capacity	25kg
Push-Open	Yes
Soft-Closing Mechanism	Yes