



IB45CS
Black: IB45CS

Built-in Steam combination oven

Main cavity

- 80 Automatic cooking programs
- Steam cooking and defrosting
- Fanned grill
- Convection oven
- 900W Microwave oven
- Combination cooking with steam, microwave & oven
- Touch controls with LED display
- Child safety lock
- Pre-heat function
- Overheat protection
- 34 Litre Capacity

3 year warranty, domestic use only

Colours

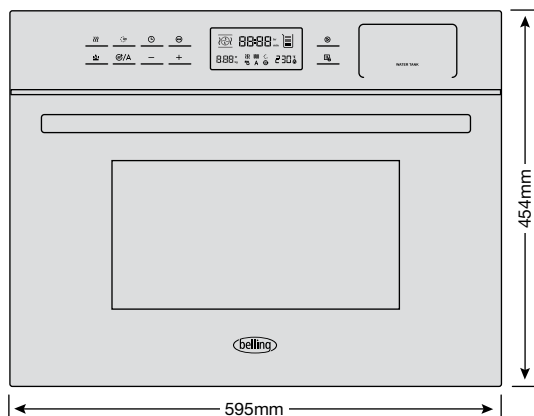


Main Cavity



BUILT-IN IB45CS

Function	Steam combi oven
Fuel	Electric
FUNCTIONS	
Conventional electric oven	No
Fan assisted oven	No
Fan forced oven	Yes
Half grill	No
Full grill	No
Fanned grill	Yes
Steam	Yes - 1500W
Microwave	Yes - 900W
Defrost	Yes
Light	Yes
Pizza	No
Clean function (descale)	Yes
Programmable oven	Yes
CONTROL PANEL	
LED clock / programmer	Digital touch programmer
ReadyCook LCD screen	No
Control knob	Touch button only
CAVITY FEATURES	
Energy rating	N/A
Actual capacity (litres)	34
Usable capacity (litres)	-
Water tank (litres)	1
Shelf runners	Moulded
No. of shelf positions	2
Telescopic slider	N/A
Oven light	Yes
ACCESSORIES (INCLUDED)	
Square glass tray	1
Square grill rack	1
INSTALLATION	
Electrical connection	3-Pin plug
Terminal block position	N/A
Maximum load (watts)	3000
Fuse size (amp)	15
DIMENSIONS (PRODUCT)	
Height x Width x Depth (mm)	454 x 595 x 560
Weight (kg)	41
DIMENSIONS (PACKED)	
Height x Width x Depth (mm)	550 x 700 x 670
Weight (kg)	45



Cut-Out Dimensions

