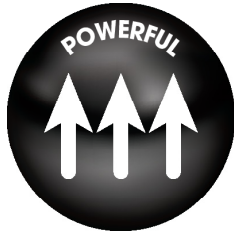


BUCG90B

Deluxe Glass Under Cupboard Rangehood
900mm to suit 900mm cabinet

belling[®]
trusted since 1912



Features

- Black tempered glass under cupboard installation
- 1000 m³/hr airflow - strong extraction
- Ducted installation
- LED backlit touch controls
- Perimeter aspiration
- Front strip LED lighting
- 3 speed fan
- Timer - up to 9 minutes
- 1 x aluminium grease filter
- 62dBA

Specifications

Airflow:	1000m ³ /hr
Noise Level:	62 dBA
Lighting:	LED lights
Total Wattage:	270 watts
Ducting Spigot Size:	150mm

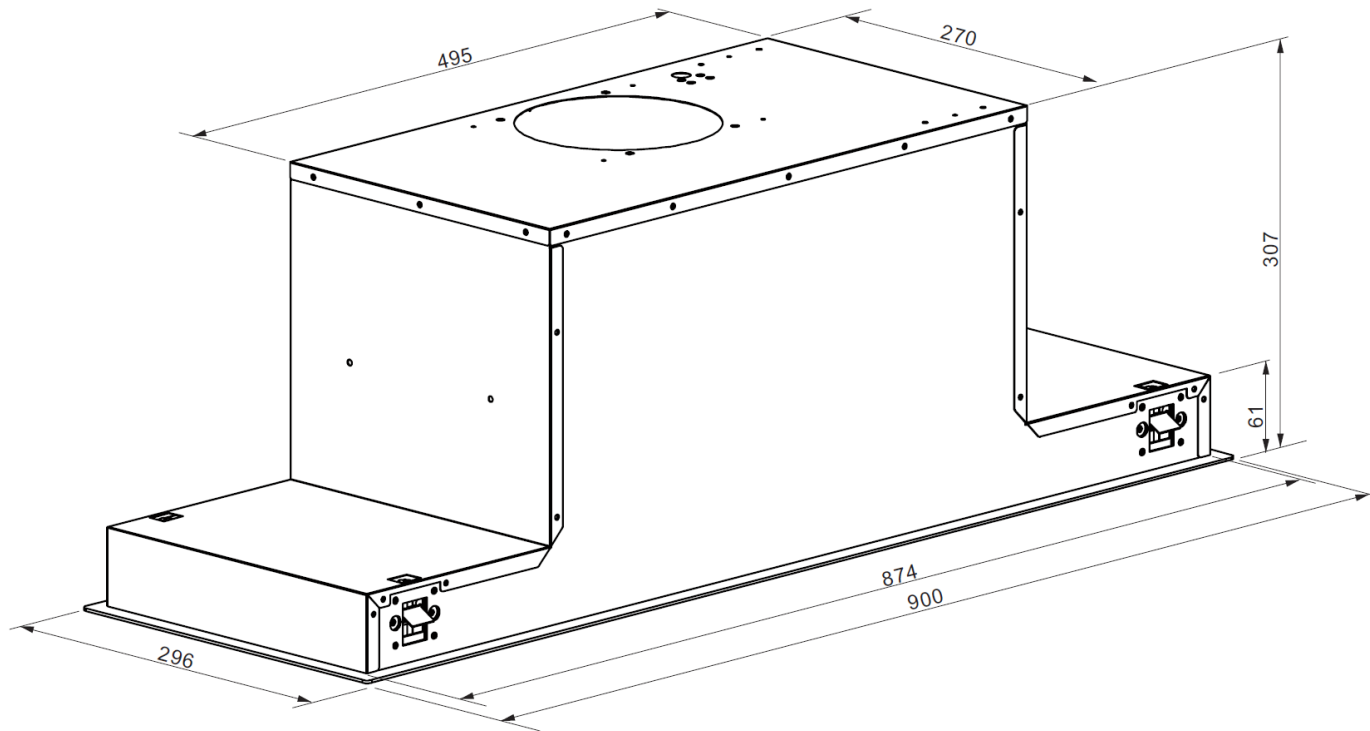
Total Power

Power:	220 -240 volt / 50Hz (fitted with 10amp, 3 pin plug)
Power Cord:	1.5 metre cable

BUCG90B

Deluxe Glass Under Cupboard Rangehood 900mm

belling[®]
trusted since 1912



Product Dimensions

900mm (W) x 307 mm (H) x 296mm (D)

Cut Out Dimensions*

880mm (W) x 275mm (D)

* Ensure the distance between the edges of the cut-out to the edge of the cupboard is at least 35mm



Warranty
2 year Parts and Labour