

## 90cm Gas Cooktop

Stainless Steel Gas Cooktop



## Features & Benefits

### Stainless Steel

Stainless steel cooktop for durability and style

### 5 Italian Made Burners

Gas cooktop with 5 burners featuring a wok cooker on the front left for convenience when cooking with large cookware

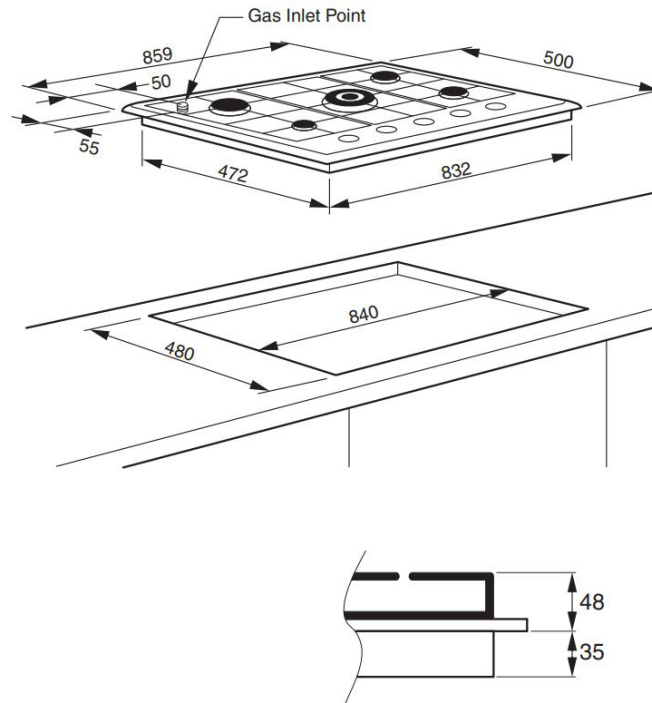
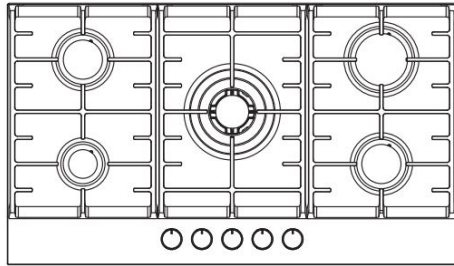
### Cast Iron Trivets

Premium trivets made from heavy duty cast iron, including a wok trivet

### Flame Safety Devices in every Burner

### 2 Year Warranty

## Specifications, Dimensions and Installation



### BGH905WSS

#### FEATURES

No. of Burners	5
Trivets	Cast iron
Flame Safety	Yes
Ignition	Electric
Finish	Stainless steel
Accessories	Cast iron wok trivet

#### COOKTOP ZONES

Front Left	4kW
Front Right	1kW
Back Left	2kW
Back Right	2kW
Left Wok Burner	5kW

#### INSTALLATION

Power	220/240v AC
	50Hz
	10A
Installation	Top mount

#### DIMENSIONS (W x H x D)

Product (mm)	859 x 83 x 500
--------------	----------------