

French Door Stainless Steel Fridge Freezer



Features & Benefits

No Ice Build-up

No more icy leftovers in the freezer, frost free technology prevents frost build-up

Huge 630L Capacity

With wide dish storage capability and dedicated humidity controlled crisp drawers

Electronic Touch Control Panel

Easy access to view fridge settings on the touch control panel with a host of convenient features

Holiday Power Save Function

Set the fridge to holiday mode to increase efficiency and reduce electricity usage

LED lighting

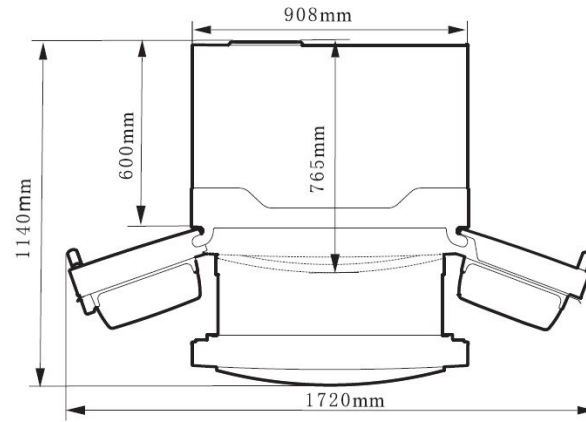
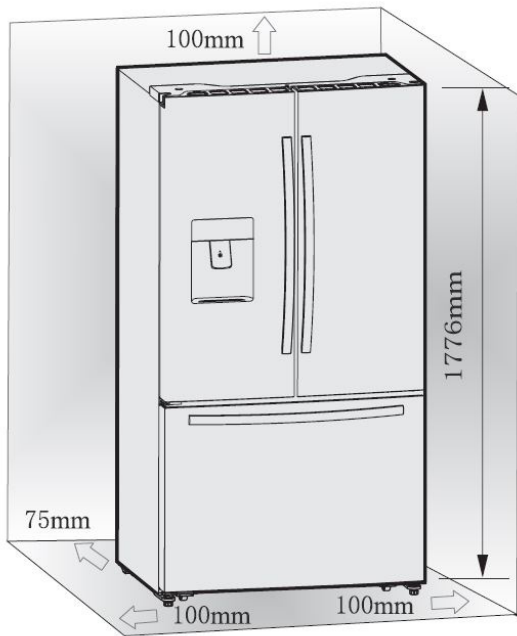
Making life easier, LED lighting is equally useful for helping you find your missing jar of relish at the back of the fridge, and reducing heat and energy usage

Non-plumbed Water Dispenser

Simply fill up the built-in, BPA free, container inside the fridge and enjoy!

3 Year Warranty

Specifications, Dimensions and Installation



BC630FDWS

CAPACITY	
Total Gross Capacity (L)	630
Freezer Gross Capacity (L)	194
Refrigerator Gross Capacity (L)	436
FEATURES	
Adjustable Front Legs	Yes
Handle	Long bar handle
Temperature Control	Electronic/display
Finish	Black Stainless steel
DIMENSIONS (W x H x D)	
Product (mm)	912 x 1776 x 675
Weight (kg)	134