

Side by Side Stainless Steel Fridge Freezer



Features & Benefits

No Ice Build-up

No more icy leftovers in the freezer, frost free technology prevents frost build-up

624L Capacity

Easy-slide drawers, wide adjustable spill-proof glass shelves, large fruit and vegetable crisper and removable ice-maker

Electronic Touch Control Panel

Easy access to view fridge settings on the touch control panel with a host of convenient features

Holiday Power Save Function

Set the fridge to holiday mode to increase efficiency and reduce electricity usage

LED lighting

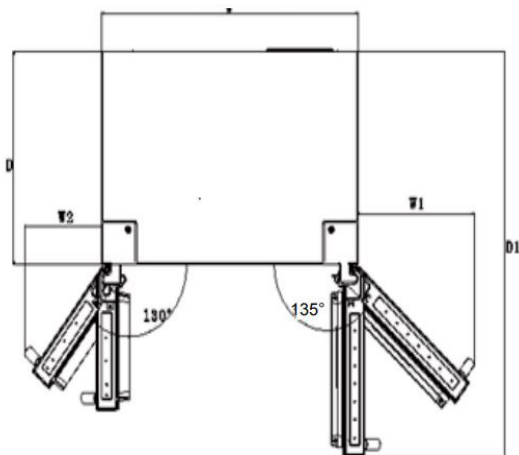
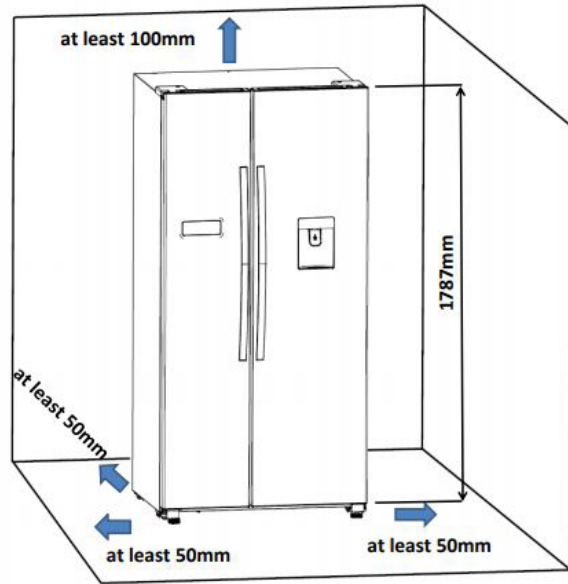
Making life easier, LED lighting is equally useful for helping you find your missing jar of relish at the back of the fridge, and reducing heat and energy usage

Non-plumbed Water Dispenser

Simply fill up the built-in, BPA free, container inside the fridge and enjoy!

2 Year Warranty

Specifications, Dimensions and Installation



BC624SSWF

CAPACITY

Total Gross Capacity (L)	624
Freezer Gross Capacity (L)	239
Refrigerator Gross Capacity (L)	385

FEATURES

Adjustable Front Legs	Yes
Handle	Long bar handle
Temperature Control	Electronic/display
Finish	Stainless steel

DIMENSIONS (W x H x D)

Product (mm)	907 x 1780 x 745
Weight (kg)	110

