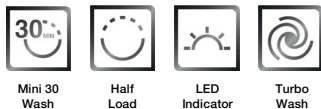
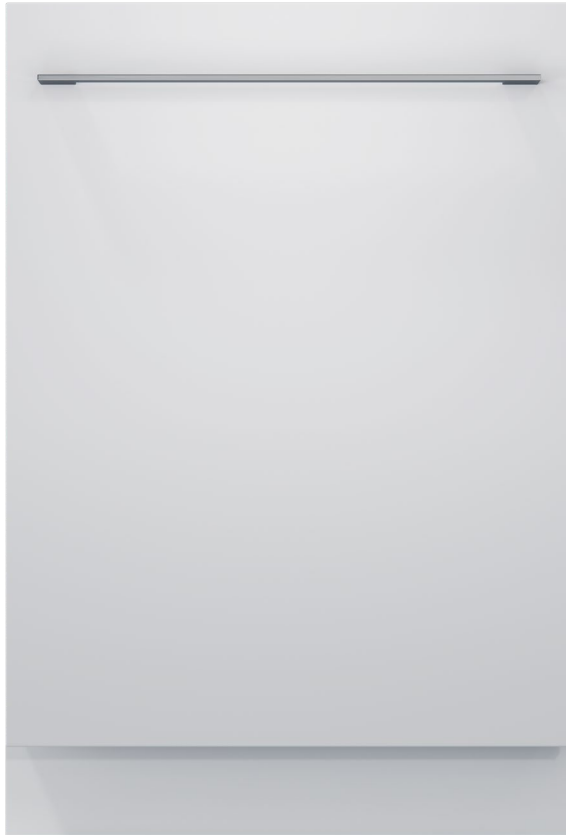


60cm Fully Integrated Dishwasher

16 Place Settings, 8 Wash Programs, Brushless Motor



PRODUCT FEATURES

16 PLACE SETTINGS

Never run short of space with 16 place settings and plenty of flexible loading options with the aid of a cutlery tray and additional basket as well as adjustable upper shelf and foldable tines.

8 WASH PROGRAMS

Ranging from a Mini 30 minute program for when you need clean dishes in a hurry through to an Intensive 70° wash for those pans with baked on food, all bases are covered with the choice of 8 wash programs.

4 AUXILIARY FUNCTIONS

Customize your wash program with an auxiliary function including half load to save on energy and water and extra drying for ensuring plastics are free from any drips.

HYDROSENSE

Utilized in the Auto Wash program, the HydroSense feature analyses how dirty the water is after the initial rinse and adjusts the temperature and run time accordingly, ensuring perfect results every time.

ACTIVE DRYING SYSTEM

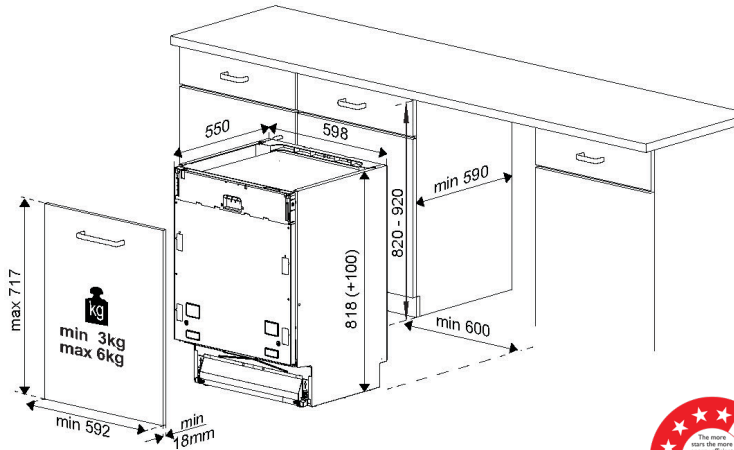
Improved effectiveness over a natural drying system, the built in fan removes the hot and humid air after the wash cycle is completed, allowing your dishes to dry quickly and thoroughly.

BRUSHLESS MOTOR

Built to be more efficient and durable, the brushless motor not only costs less to run but is quieter as well.



Specifications, Dimensions and Installation



FEATURES	
Finish	Fully Integrated
Place Settings	16
Display	Red LED (Internal)
Controls	Electronic Push Button
Cutlery Tray	Full Size
Upper Basket Type	3 Levels (Fully Loaded)
Cutlery Basket	Included
No. of Spray Arms	3
Adjustable Plate Holders	3
HydroSense	Yes
Drying System	Closed Fan
Delay Start	Up to 24hrs
Flood Protection	Overflow Sensor + Aquastop
Rinse Aid Indicator	Yes
Internal Tub Material	Stainless Steel
Filter Type	3 Stage

PROGRAMS	
Program 1	Eco 45°
Program 2	Auto 40-65°
Program 3	MixWash+ 55-65°
Program 4	Intensive 70°
Program 5	Quick 60°
Program 6	GlassCare 40°
Program 7	Mini 35°
Program 8	Pre-Wash

AUXILIARY FUNCTIONS	
Function 1	Half Load
Function 2	Fast+
Function 3	Extra Drying
Function 4	TurboWash

SPECIFICATIONS	
Installation Type	Under Bench *Separate kick panel and cabinet door to be provided by kitchen cabinet manufacturer
Electrical connection	10A Plug
Power	220 – 240V / 50Hz
Total Wattage	1800 - 2100W
Heating Element	1800W-2100W
Motor	BLDC
Energy Rating	4 Star
Water Rating	4.5 Star
Noise Level	43dBA

DIMENSIONS (W x H x D)	
Product Boxed (mm)	657 x 867 x 674
Product Un-Boxed (mm)	598 x 818 - 918 x 550
Cut-Out (mm)	600 x 820 - 920 x 590

WEIGHT	
Product Boxed (kg)	41.1
Product Un-Boxed (kg)	37.9

WARRANTY	
Product	5 Years Part & Labour
Brushless Motor	10 Years Parts Only