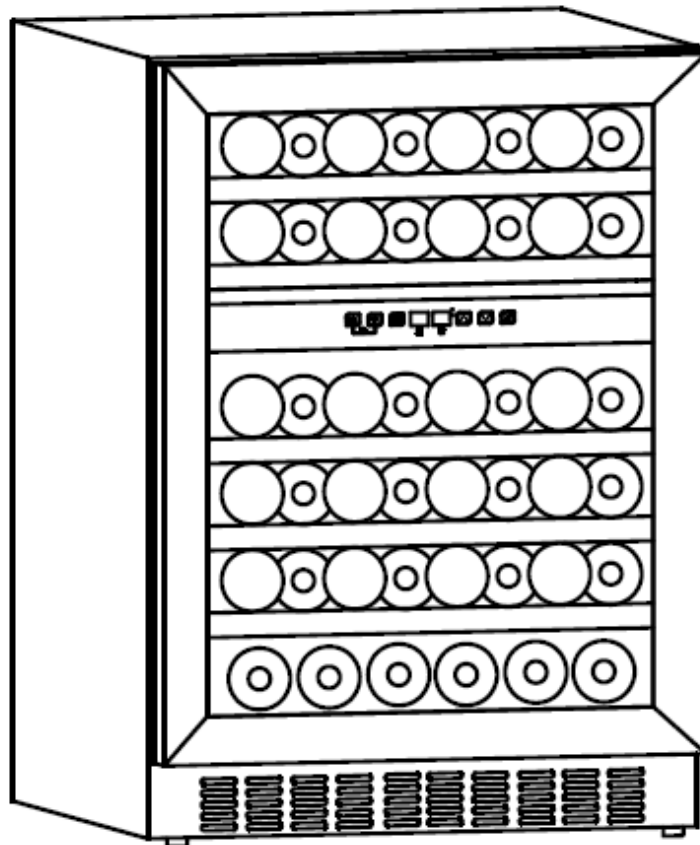




Wine Cooler Instruction Manual

BWC46IB



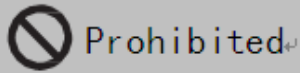
Our product will create perfect temperature and humidity to store your collection of wine in the optimum environment.

Content

Safety instructions & warnings.....	1-2
Description of the appliance.....	3-4
Installation & operation.....	5-8
Troubleshooting.....	8
Maintenance and cleaning.....	9
Technical parameters.....	10

Safety instructions & warnings

Your safety is of the utmost importance to our company. Please make sure that you read this instruction booklet before attempting to install or use this appliance. If you are unsure of any of the information contained in this booklet, please contact the Technical Department.



Prohibited



Warning



Caution



Caution

- This appliance can be used by children aged from 8 years and above and persons with reduced physical, sensory or mental capabilities or lack of experience and knowledge if they have been given supervision or instruction concerning use of the appliance in a safe way and understand the hazards involved. Children shall not play with the appliance. Cleaning and user maintenance shall not be made by children without supervision.
- Children should be supervised to ensure that they do not play with the appliance.
- This appliance is intended for HOUSEHOLD USE ONLY and not for commercial or industrial use.



Warning

- Keep ventilation openings, in the appliance enclosure or in the built-in structure, clear of obstruction.
- Do not use mechanical devices or other means to accelerate the defrosting process, other than those recommended by the manufacturer.
- Do not damage the refrigerant circuit.
- Do not use electrical appliances inside the storage compartments of the appliance, unless they are of the type recommended by the manufacturer.

- Make sure that the appliance is connected to a power supply in accordance with the rating label.
- Use an independent grounded socket with 10A or higher, do not connect to transformer or socket with multiple outlets.
- Make sure socket is grounded properly and do not modify power cord & plug.
- Connect power plug with socket firmly in case of possible risk of fire.
- Plug should be within reach for easy disconnection after the appliance positioned in case of accidents occurred.
- Do not store or burn gasoline or other inflammables near the appliance in case of possible fire.
- Do not store inflammables, explosives, acid & alkaline liquids etc. in the compartment of the appliance.
- Do not operate other appliances in the compartment.

Child Safety

- Do not allow child play inside the appliance in case of entrapment.
- Do not allow child hang on the door to play in case of falling of the appliance.
- Do not allow children to reach into compressor compartment or touch metal components at rear of the appliance in case of possible injury.

Keep away from water

- Do not spray water on the appliance or wash the appliance by pouring or filling water in case of invalid insulation and possible electric shock.

Be careful of freezing

- Do not touch surface of the liner inside the compartment, especially with wet hands, in case of freezing injury while the appliance is in operation.

Modification on the appliance not allowed

- Do not reconstruct the appliance by yourself which may cause damage to the appliance.

Unplug the appliance under certain conditions

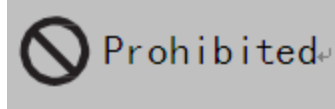
- Unplug the appliance before cleaning & maintenance.
- Unplug the appliance when power cuts occurred.

Disposal of the appliance

- Please adhere according to local regulations regarding disposal of the

appliance for its flammable refrigerant and gases.

- Before you scrap the appliance, please take off the doors to prevent children being trapped.
- Send the appliance to the designated disposal location.



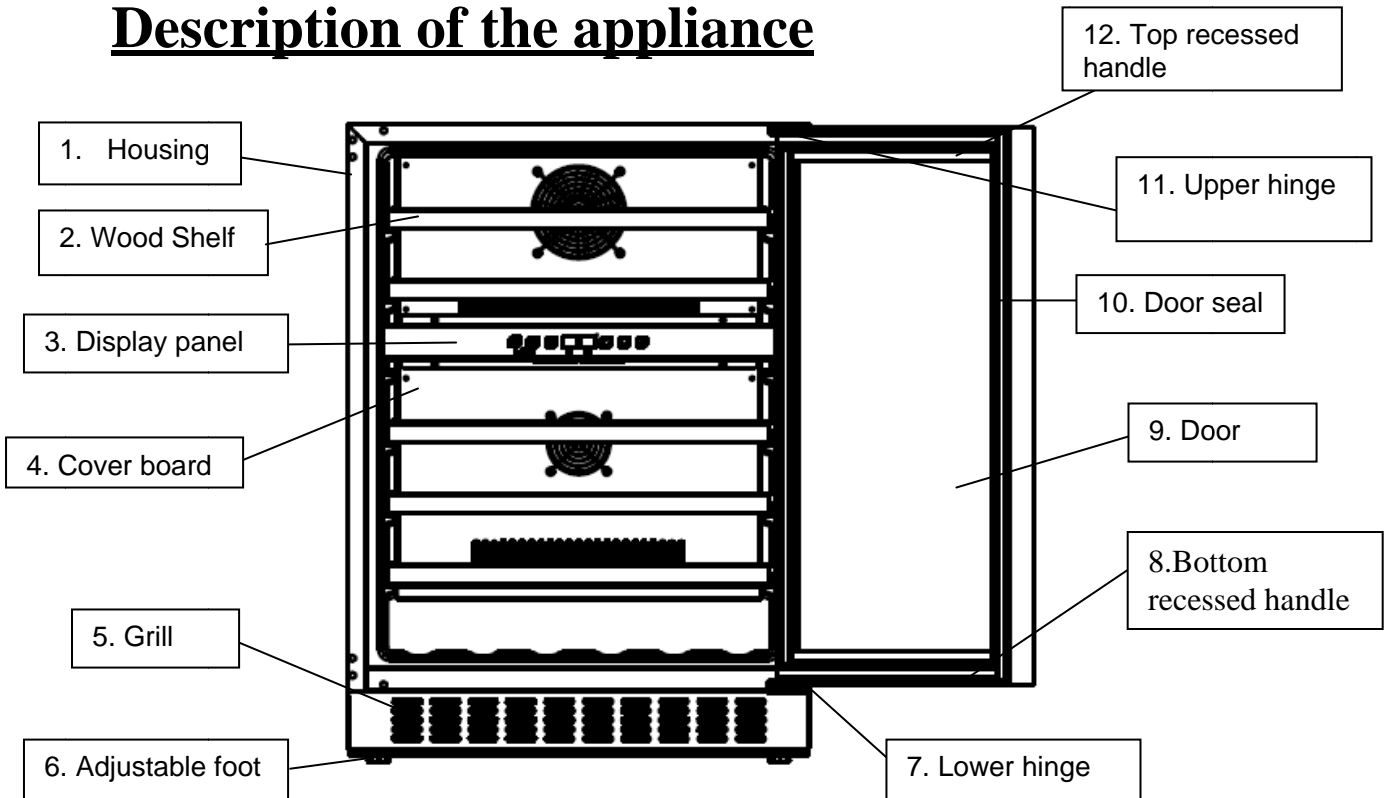
Do not damage the power cord

- Do not disconnect the appliance by pulling power cord rather than pulling the plug.
- Do not set the appliance above the power cord or step on the cord intentionally.
- Put the power cord at right place when moving the appliance.

When the power cord is damaged

- Do not use damaged power cord, and get it replaced immediately by manufacturer service agent or by qualified electrician.
- If needed, extend the power cord with cord of 0.75mm² or bigger by qualified electrician.

Description of the appliance



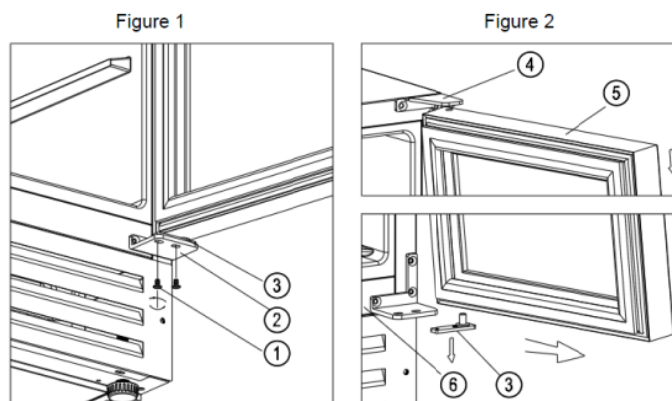
Note: Shelves, door frame, handle and other accessories could be different according to different models and configuration. All photos in this manual are for reference. The appliance you buy might not be exactly the same as shown here. Please refer to the actual product.

Accessories list

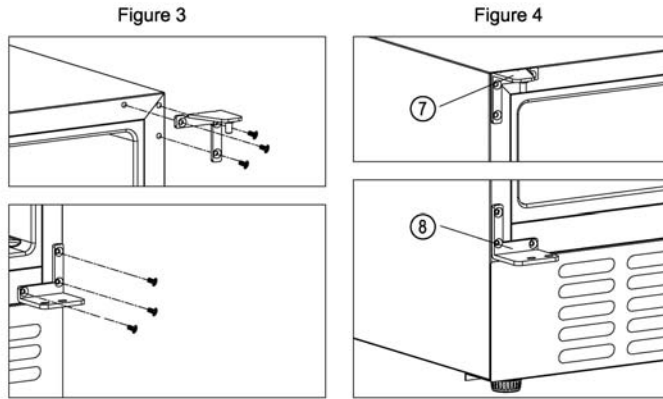
1. 5 pcs of beech wood shelves (already installed in the appliance)
2. 1 pc of instruction manual
3. 1 pc of left top hinge & 1 pc of left lower hinge (door reversing kit)
4. 1 pc of Belling Warranty Document
5. 1 pc of Belling Registration Card

Reversing the door of wine cooler

Our wine cooler is delivered with the door opening from left to right. To reverse the opening direction:



- ✧ Open the door at 90 degrees and keep it steady.
- ✧ Unscrew the two screws① from the right lower hinge② [Figure 1].
- ✧ Pull the door ⑤ outwards slowly [follow the arrow direction in Figure 2] to get off the lower hinge② and continue to pull the door⑤ downwards slowly until getting off from the top right hinge④, and take off the lower hinge plate③ from the door axis hole[Figure 2].
- ✧ Screw top right hinge④ & right lower hinge② off from the cabinet⑥ and keep



them in the polybag for needs if you want to change back left opening door in the future.[Figure 3]

- ✧ Install the top left hinge⑦ & left lower hinge⑧ to the left side of the cabinet.(⑦ &⑧ delivered in a separated polybag inside the packing carton).[Figure 4]
- ✧ Turn the door⑤ 180 degrees upside down and insert the lower hinge plate③ to the bottom door axis hole. Fit the top door axis hole to the top left hinge⑦ and put lower hinge plate③ slowly on the left lower hinge⑧ and keep the door steady. Screw up the left lower hinge with the plate. Door reversing is finished.

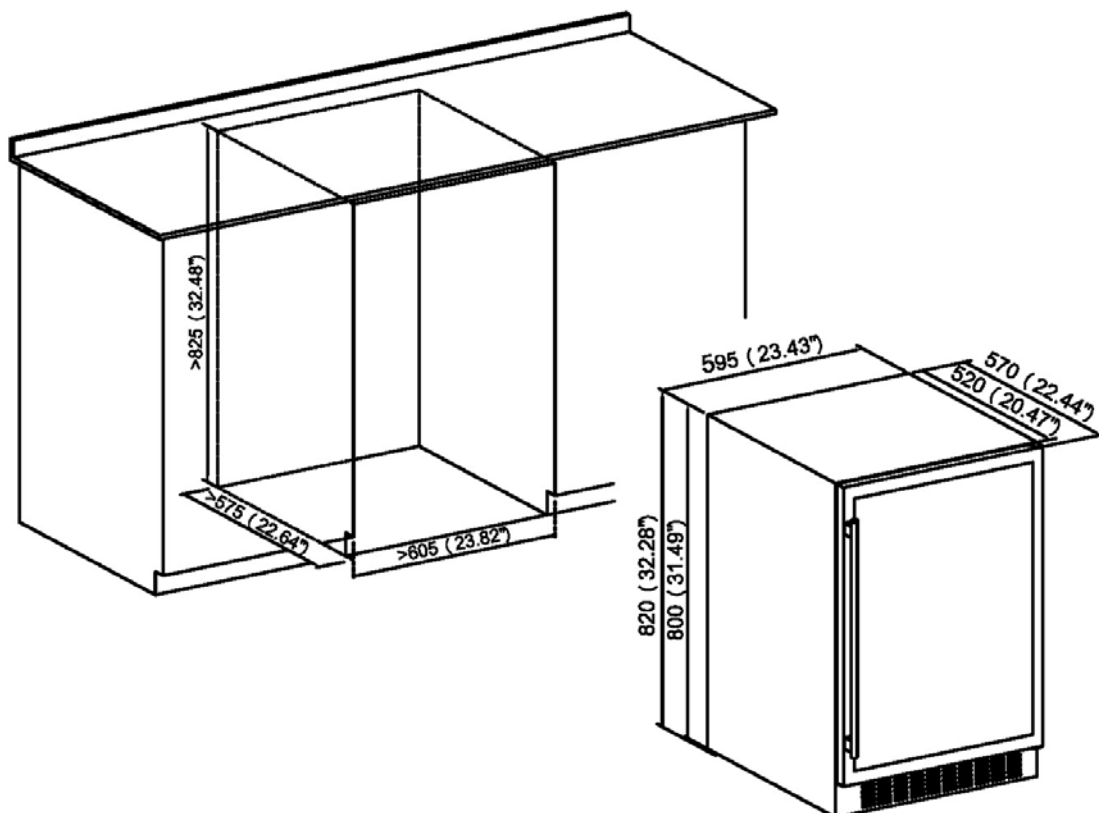
Installation & operation

Position

- ⚠ Do not lean the appliance over 45° when moving it to position.
- ⚠ The appliance must be put on flat, firm & dry floor or similar noncombustible pad; do not use the package foam pad.
- ⚠ Do not put the appliance in a wet places.
- ⊘ Do not use the appliance in a frozen environments.
- ⊘ Do not use the appliance outdoors.

The appliance is designed to either build under the counter or stand alone on the floor.

Demonstration for building under the counter:



Wine bottles can be stored when it feels cool inside, and only after the appliance has been on around 1 hour.

Start operation

1. Cleaning the compartment

Before powering on, clean inside of the appliance and check the drainage pipe in good connection. (For details, please refer to the "Maintenance and cleaning")

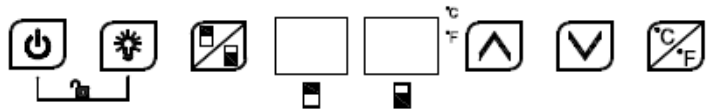
2. Placement

Before powering on, level the appliance on the firm & dry floor for at least 30 minutes.

3. Power on

The appliance will start operation and it will cool down inside after 1 hour, otherwise you should check the power connection.

Control panel



All keys would be invalid if in lock mode. Please unlock first.



ON/OFF

1. Hold down the on/off key for 3 seconds to power down, unit will go into stand-by mode.
2. Hold down the on/off key again 3 seconds to return unit back to normal working operation.



Light

Press the key, turn on or turn off the LED lights inside. In stand-by mode, the key is invalid.



Zone switch

Press the key to switch between upper zone and lower zone for choosing which zone to set temperature. Press the key once, the LED display in chosen zone will begin flashing. Press up and down key to set temperature. Press the key again to switch the zone to set temperature.



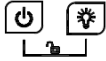
UP

Press the key once, LED display will begin flashing showing current set temperature. Continue pressing to adjust set temperature, one press increases 1°C. Flashing will cease after 5 seconds of no activity and new set temperature will be saved. LED display will return to show actual temperature inside.



Down

Press the key once, LED display will begin flashing showing current set temperature. Continue pressing to adjust set temperature, one press reduce 1°C. Flashing will cease after 5 seconds of no activity and new set temperature will be saved. LED display will return to show actual temperature inside.



Child Lock (Combination key)

1. Lock: Hold down both keys at the same time for 3 seconds to lock.
2. Unlock: Hold down both keys at the same time for 3 seconds to unlock.



Fahrenheit/Celsius display interchange

Switch temperature display between Fahrenheit and Celsius by pressing the key.

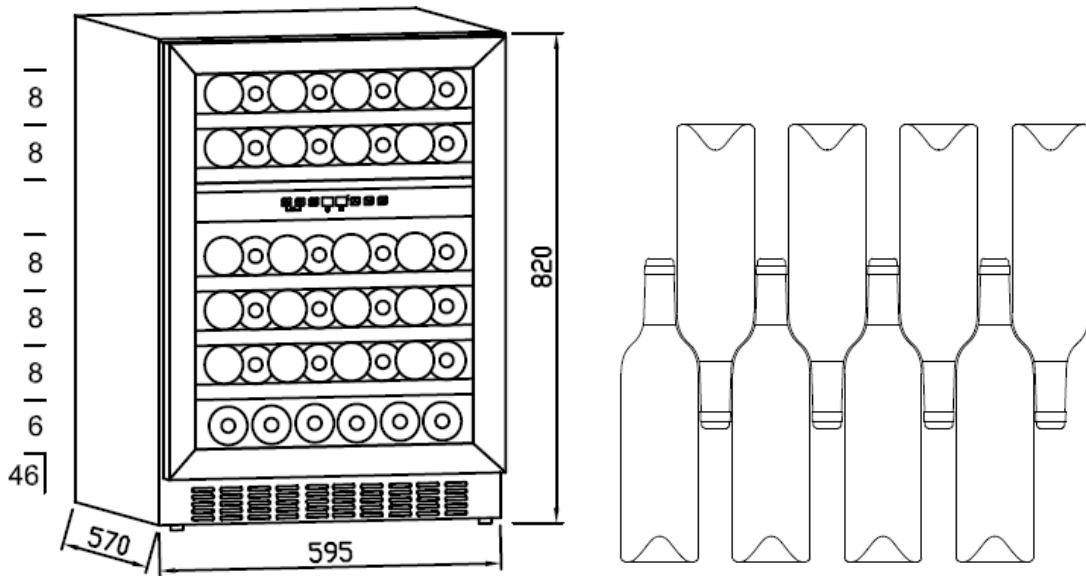


Attention

1. For both upper and lower zone, the cooling temperature could be set from **5°C to 22°C**. But temperature setting at bottom zone will always equal to or be higher than that of upper zone.
2. Alarm sound: when the system malfunction occur and alarm sound, press any key on the control panel to cancel the alarm sound.
3. Temperature sensor failure:
If a temperature sensor failures occur, error code displays. E1 for open circuit; E2 for short circuit..

Wine storage

- ✧ This appliance is equipped with sufficient independent shelves to allow your collection of wine to sit at the optimum temperature.
- ✧ Full shelves loading capacity:**46** bottles. (standard Bordeaux with 750ml)



Loading capacity will vary in terms of different way of bottle arrangement or different bottle sizes.

- ✧ Each shelf is designed to put on 1 or 2 layers of wine bottles. More than 2 layers of bottle arrangement on one shelf are not recommended.
- ✧ Each shelf pulls out partly to store wine bottles easily.

- ✧ Open the door wide before pulling out shelves.
- ✧ If the wine cooler is not in use for long periods of time, it is recommended to power it off, clean it carefully, and open the door for ventilation
- ✧ Below table is the recommended temperature for wine storing & drinking

Red Wine	15-18°C
White Wine	9-14°C
Rose wine	10-11°C
Champagne & sparkling wine	5- 8°C

Troubleshooting

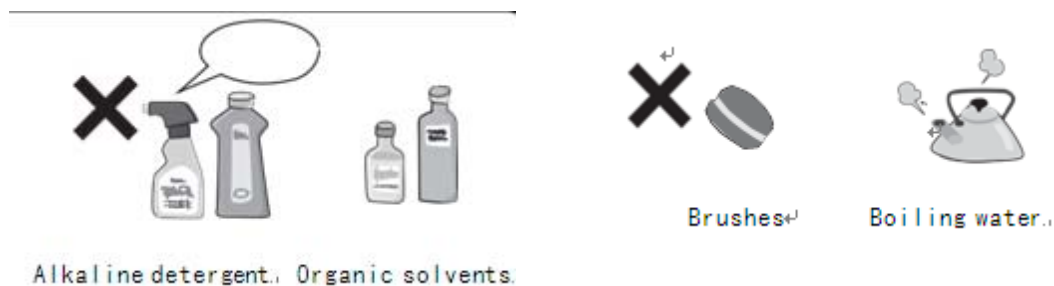
The appliance makes lots of noise?	<ul style="list-style-type: none"> ● Please adjust the front foot, keep the appliance leveling. ● Please keep a bit of space between appliance and walls.
Liquid flowing sound inside the cabinet?	<ul style="list-style-type: none"> ● This is normal because of the refrigerant working inside.
The appliance does not start?	<ul style="list-style-type: none"> ● Make sure the appliance is connected to the power properly. ● Make sure switch on the power. ● The compressor re-starts after 5 minutes for a power cut.
Compressor runs continuously?	<ul style="list-style-type: none"> ● If no cold air is being produced, call the after-sale service.
Door does not seal tightly?	<ul style="list-style-type: none"> ● After a long period of use, the door seal might get stiff & distorted partially. <ol style="list-style-type: none"> 1. Heat the door seal slightly with heat gun or with or hot towel. 2. The door seal will soften and then close the door.
The appliance does not cool sufficiently?	<ul style="list-style-type: none"> ● Please adjust temperature setting. ● Keep the appliance away from sunlight or heat. ● Please do not open the door frequently.
Unpleasant smells inside cabinet?	<ul style="list-style-type: none"> ● A little bit plastic smell for newly purchased appliance is normal and will disappear after a short time. ● Clean the compartment and ventilate it for a few hours.
Condensate on the glass door?	<ul style="list-style-type: none"> ● Please do not open the door frequently or for a long time. ● Please do not set the temperature too low. ● High ambient temperature and humidity would cause condensate.
The light is not working?	<ul style="list-style-type: none"> ● Check the power supply first. ● Call the retailer's after-sale service if the light is broken.

Maintenance and cleaning

Cleaning

- Disconnect the appliance before cleaning.
- Clean the appliance with soft cloth or sponge by water.
- Do not use organic solvents, alkaline detergent, boiling water, washing powder or acid liquid etc.
- Do not flush the compartment of the appliance.

The below items will damage the surface of wine cooler:



Power cut

Most power cuts could be resolved within a short time. To protect your wines during a power cut, avoid opening the door as much as possible. During very long power cuts, take the necessary measures to protect your wine.

Out of service for long time

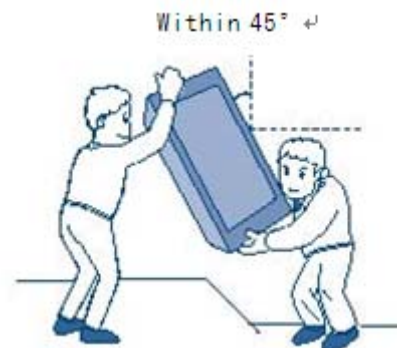
Remove all bottles from the appliance, unplug the appliance, thoroughly clean the inside and outside of the appliance, store the appliance properly.



If the appliance is disconnected or if there is a power cut, you must wait at least five minutes before re-starting.

Moving the appliance

- Cut off the power supply and unplug the appliance.
- Remove all bottles from the appliance.
- When moving the appliance, do not lean the appliance over 45°.



Technical parameters

Product model	BWC46IB
Voltage/frequency	220-240V~/50Hz
Refrigerant/weight	R600a/35g
Effective volume	129 L
Loading capacity	46 bottles
Net weight	43kg
Unit dimension (WxDxH)	595x570x820mm
Packing dimension (WxDxH)	660x625x880 mm

Remarks:

1. The Net weight includes shelves and the Unit dimension is without handle on the door.
2. The manufacturer reserves all the rights to change the above parameters without prior notice. Please refer to the nameplate of your appliance.
3. Loading capacity will vary in terms of different way of bottle arrangement or different bottle sizes (standard Bordeaux with 750ml is applied here).